



ROFUR-FLAGS

1/72 (20mm)

28mm * 54mm

- Catalogue -

Updated January 9th, 2009





ROFUR-FLAGS Since 1999

Content

Sheets 1:72nd scale listed according to historical periods, with description of each sheet's contents.....	p. 4
Sheets listed according to sheet numbers.....	p. 20
Little Workshop: how to exactly fix ROFUR-FLAGS and Samurai General's and troopflags.....	p. 24
Which flags (sheets) recommended for certain 1/72 scale sets (HäT, ZVEZDA etc.).....	p. 25
ROFUR-FLAGS 1:32nd scale 28mm Range.....	p. 26
ROFUR-FLAGS 1:32nd scale 54mm Range.....	p. 28
ROFUR-FLAGS Gallery.....	p. 30
International ROFUR-FLAGS: From where to purchase.....	p. 34



ROFUR-FLAGS

ROFUR-FLAGS sheets have a self-adhesive reverse and a mat surface finish.

**1:72nd scale and 28mm sheet size is 14 x 10 cm (ca. 5,5 inches x 4 inches).
54mm sheets are sized 20,5 x 15 cm (8 inches x 5,5 inches)**

**Where to be purchased from: Please see Traders listed at the end of the catalogue.
For Price per sheet please ask your trader.**

All figures shown here have been painted by Mr. Thomas Willers and my Brother Mr. Kai Fuhrmann, Germany.
For longterm and steady cooperation I would like to express my special thanks to both friends.

All Photographs: Rolf Fuhrmann

* * *



**A small image of each ROFUR-FLAGS Sheet
is to be found in the various registers on**

<http://www.ROFUR-FLAGS.de>

Also numerous flagbearer figures photographs and lots of further informations and converting hints.

* * *

© Rolf Fuhrmann 2009



Medieval / Crusades

1/72-154: 11th century A.C. Anglo-Norman wars / Hastings 1066.

14 lance pennons / Duke William of Normandy: personal banner, papal banner / Harald Hardraada, king of Norway: personal standard / King Harold Godwinson of Wessex, personal standard / 2 standards with dragon symbol , 1 standard with raven symbol, 2 standards with cross.

1/72-01: Fourth Crusade 1198-1205. Franconian army. 13 banners of the leading kings, other rulers and knights.

Bonifatius, Marquis de Montferrat, Earl Bauduin IV. of Flanders, Jean de Brienne, Geoffroy de Villehardoin - 2 different, Otton de la Roche, Robert de Mauvoisin, Simon de Montfort, Louis de Blois, Guy de Montfort, Guillaume de Champlite, Eustache de Cayeux, Etienne de Perche.

1/72-02: Third Crusade 1189-1191. Banners of Leaders.

7 banners of leading Kings and rulers:

Frederik I. Barbarossa, Head of the Holy Roman Empire / Philippe Auguste, King of France / Richard I. Lionheart, King of England / Leopold I. Babenberg, Duke of Austria / Bauduin IX, Earl of Flanders / Guy von Lusignan, King of Cyprus / King of Jerusalem.

1/72-03: Fifth to Seventh Crusades 1217 - 1254 Banners of Leaders.

12 banners of leading Kings and rulers:

King of Jerusalem / Frederik II. of Hohenstaufen, Head of the Holy Roman Empire / Guillaume Duke of Ferrers / Hugues of Lusignan, king of Cyprus, / Andreas, king of Hungria / Henri II. Duke of Bar / Ludwig I. Duke of Bavaria / Ludwig IX. (the Holy), king of France / Raymond Viscomte de Trencavel / Raoul Lord Seigneur de Mauléon / Leopold Babenberg, Duke of Austria / Robert fitz Walter.

1/72-113: Teutonic Order 12th/14thcenturies and Order of Sword Brethren 1202-ca.1240.

Teutonic Order: Grand Master's banner from ca. 1220 on / Grand Master's banner from 1226 on / alternate Grand Master's banner 1240 (black cross silver edged) / Marshal's banner 1st half of 13th cent. / 3 banners with different shaped crosses / 10 lance pennons, 2 different versions.

Sword Brethren: 1 banner und 9 lance pennons.

1/72-114: Order of the Temple 1120-1307. Order of the Hospital 12th-14th cent.

Templars: 7 different banners / 10 lance pennons (3 different versions).

Hospitallers: 5 different banners / 13 lance pennons (4 different versions).

1/72-54a: Banners with saints 12th-15th cent.

5 banners for Russian knights with motiv of the Eastern Church / 4 banners with Roman-Catholic motifs of European knights.

1/72-218: Russian banners ca. 1200-1410. (Released Jan. 2009)

12 Banners

Muslim Troops

1/72-102: Saracen standards, about 1100/1250.

10 standards of different types used during that period.

1/72-214: Ottoman Empire. Janissaries, 14th Cent.-1826

8 different Janissary flags, 1 general ottoman flag. **Released August 2008**

>>> As shapes and symbols used with muslim military flags underwent but minor changes during historical periods, the flags may well be used from the time of crusades up to the end of 19th century!

1/72-215: Ottoman Empire, Infantry and Cavalry.

16 flags and 4 pennons. **Released August 2008**

>>> As shapes and symbols used with muslim military flags underwent but minor changes during historical periods, the flags may well be used from the time of crusades up to the end of 19th century!

Skandinavian wars / Baltic region crusades and other wars ca. 1200 -1420

1/72-219: Skandinavian / Baltic region wars. Hanse League Troops ca. 1300-1420. Released Dec. 2008

1 Banner each for troops of Hanse Leage members: Hamburg, Elbing, Rostock, Lübeck, Danzig, Stralsund, Wisby, Bremen, Königsberg, Wismar.

1/72-220: Skandinavian / Baltic region wars. Denmark and Neighbours, ca. 1200-1300 (I)

King of Denmark / Count of Ratzeburg / Duke of Brandenburg / Count of Holstein / "Danebrog". Danish war flag // Banners for Knight or Lord of: Bild, Due, Calf, Rani, Eberstein, Falster.



Figures:
Thomas Willers



- 1/72-221: Skandinavian / Baltic region wars. Denmark and Neighbours, ca. 1200-1300 (II). (Released Dec. 2008)**
 "Danebrog". Danish war flag 2 versions / Duke of Schleswig / Duke of Pommerania / Levy of Riga Town / Banners for Knight or Lord of: Hvide I, Hvide II, Sudreim, Glug, Sappi, Rotfeld.
- 1/72-222: Skandinavian / Baltic region wars. Denmark and Neighbours, ca. 1300-1400 (III). (Released Dec. 2008)**
 Count of Schwerin / Banners for Dukes of: Pommern, Wolgast I, Stargard, Groetswin / Banners for Knight or Lord of: Wenden, Bülow, Plessen, Ramel.
- 1/72-223: Skandinavian / Baltic region wars. Denmark and Neighbours, ca. 1300-1400 (IV). (Released Dec. 2008)**
 Dukes of: Rostock, Wolgast II, Stettin, Lauenburg, Ratzeburg, Mecklenburg / Overlord of Rügen / Banners for Knight or Lord of: Moltke, Putbus (Podebusk).
- 1/72-224: Skandinavian / Baltic region wars. Denmark and Neighbours, ca. 1300-1400 (V). (Released Dec. 2008)**
 Albrecht of Mecklenburg, King of Schweden and Norway 1363-1389, personal banner / Dukes of: Brandenburg, Schleswig / Banners for Knight or Lord of: Hackensson (Marinason), Sparre av Hjulsta, Oernfot, Jonsson, Bengtsson, Giäddat, Koenigsmark, Limbek.
- 1/72-225: Skandinavian / Baltic region wars. Denmark ca. 1300-1400. (Released Dec. 2008)**
 "Danebrog". Danish war flag / King Valdemar IV. Atterdag of Danmark / Banners for Knight or Lord of: Quitzow, Urne, Gleichen, Rastorp, Friis, Parsberg, Mourer, Manderup, Oxe, Qualen, Lunge.
- 1/72-226: Skandinavian / Baltic region wars. Denmark ca. 1350-1440. (Released Dec. 2008)**
 "Danebrog". Danish war flag / King Erik VII. of Danmark (Erik of Pommerania) 1412-1439: The personal banner, the King's banner / Banners for Knight or Lord of: Riesing, Manderup II, Glug, Vognesen, Hog, Lange, Rafvad, Muhle, Krummedige (Krummediek).
- 1/72-227: Skandinavian / Baltic region wars. Sweden ca. 1300-1440. (Released Dec. 2008)**
 Eric Knutsson King of Sweden 1208-1216 / Eric Ericsson King of Sweden 1216-1250 / Banner of St. Olaf, national warflag / Birger, Jarl (Royal Governor) 1290-1319 / Three Crowns National Emblem from 1333 on / König von Norwegen ab 1280 / King of Norway, from 1280 on // Banner der Herren oder Ritter / Banners for Knight or Lord of: Ulfssons, Brahe, Krognos, Scheffer, Trolle, Sverker, Ludenhof, Reenstjerna.
- 1/72-228: Skandinavian / Baltic region wars. Sweden ca. 1300-1440. (Released Dec. 2008)**
 Eric Magnusson, King of Sweden, Norway and Scania 1330-64 / Banner von St. Olaf, national war flag / National Flag 1333-64 / Three Crowns National Emblem from 1364 on / Magnus II, King of Sweden and Norway 1319-1363 / Folkunga Kings Dynasty 1250-1363 / King of Norway / Banners for Knight or Lord of: Lejonhuvad, Plata, Sparre, Ahlefeldt, Gyldenloewe, Gyldenloewe, Lejonsansikte.

Battle of Tannenberg (Grunwald)1410

- 1/72-218: Russian banners ca. 1200-1410. (Released Jan. 2009).** 12 Banners
- 1/72-152: Battle of Grunwald 1410 (I) Polish-Lithuanian Army and Teutonic Order Army. (Revised Jan. 2009)**
Polish Army: Great Krakow-Banner / Jan of Tarnow, Wincentego of Granowo, Spytko of Jaroslaw and Tarnow / Iwo von Obichów / Nadworna Banner // *Teutonic Order Army:* *Teutonic army:* Banner of St. George / Königsberg town levy / Thorn levy / Commandery of Elbing, 2nd Banner / Crossbowmen unit flag /
- 1/72-153: Battle of Grunwald 1410 (II). Polish-Lithuanian Army and Teutonic Order Army. (Revised Jan. 2009)**
Polish Army: King Wladislaw II. Jagiello's Guidon / Banner of St. George / Kalsiz district levy / Podolskiej district levy / Podolskiej Distrikt levy / Podolskiej district levy // *Teutonic Order Army:* The Grandmaster's great Banner / Teutonic Order: Town of Braunsberg? levy / Teutonic Order army. Culm district levy / Teutonic Order army guests: Duke Konrad of Oels (Silesia) / Danzig town levy / the General Banner of the Teutonic Order.
- 1/72-229: Battle of Grunwald 1410 (III). Polish-Lithuanian Army (Released Jan. 2009)**
Polish Army: Polish Royal Marshal / King Jagiello personal Banner / Banner of both district of Masovia units / Banner under Sedziwoj of Ostrorog / Bishop of Poznan Banner / Gniewosz of Dalewic Czech banner / Dobrzyn Distrikt Levy Banner / Castellan of Wislica levy banner // *Lithuanian Army:* Unit banner, 2 different.
- 1/72-230: Battle of Grunwald 1410 (IV). Polish-Lithuanian Army. (Released Jan. 2009)**
Polish Army: Banner under Dobrogost Swida of Szamotuly / Dobieslaw of Olesnica's banner / Morawians commanded by Jan of Jicin / Leczyca district levy banner / Bishop of Krakow / Jan Mezyk of Dobrowa / Prince of Masowia // *Lithuanian Army:* Unit banner / Vytautas of Lithuania personal Banner.
- 1/72-231: Battle of Grunwald 1410 (V). Polish-Lithuanian Army. (Released Jan. 2009)**
Polish Army: Chelm Distrikt Banner / Moravian banner, Jan of Jicin / Cujawian District Banner / Banner under Vice Chancellor Mikolaj Traba of Wislicz / Lublin Distrikt Banner / Clan Griffin Banner / Duke Janusz of Masowia / Banner under Castellan of Sacz, Krystyn of Kozioglow // *Lithuanian Army:* Unit banner.
- 1/72-232: Battle of Grunwald 1410 (VI). Polish-Lithuanian Army. (Released Jan. 2009)**
Polish Army: Sandomierz District Banner / Wylun District Banner / "Gonzca" Banner / Sieradz District Levy Banner / Banner under the command of Mikolaj of Michalow / Lwow Distrikt levy Banner / Przemyskiej Distrikt Banner / Leczyca District Levy Banner // *Lithuanian Army:* Unit banner.
- 1/72-233: Battle of Grunwald 1410 (VII). Teutonic Order Army. (Released Jan. 2009)**
 Commander of the House of Christburg and Chief of the order's clothing department / Commander of the House of Elbing and Chief of the order's hospital department / Grandcommander of the Order and House Commander of Marienburg Castle / Keeper of the order's treasury department / Commandery of Bartenstein or Heiligenbeil town levy / Bailiff of Dirschau levy / Commandery of Mewe levy / Königsberg town levy / Bishopric of Samland levy.
- 1/72-234: Battle of Grunwald 1410 (VIII). Teutonic Order Army. (Released Jan. 2009)**
 Grandmaster Avantgarde / Grandmaster tent and wagon flags / Knights from the county of Meissen / Commandery of Schönsee levy / Heilsberg town levy / Commandery of Althaus levy / Commandery of Strasburg levy / Commndery of Ragnit or Samland Bailiff levy / Bailiff of Leske levy / Commandery of Graudenz levy / Commandery or town of Elbing levy / Elbing town levy 2 different flags.



*Landsknechts / Habsburg Empire
Flags, with 1:72nd scale ORION
plastic figures
painted by Thomas Willers.*

1/72-235: Battle of Grunwald 1410 (IX). Teutonic Order Army. (Released Jan. 2009)

Teutonic Order tent and wagon flags / Variation of Königsberg town levy banner or banner of Thuringian and Hessian knights / Kulm town levy / Bailiff of Brattian levy / Osterode Commandery levy / Nessau Commandery levy / Bailiff of Roggenhausen levy / Balga Commandery levy flag / Crossbow troop flag / Commandery of Danzig Banner variation / Balga Commandery levy flag.

Hundred Years War 1338-1453

1/72-92: Hundred Years War. Agincourt, Oct. 25th, 1415. English army (1)

One of Henry V's personal standards / banner of St. George / fanfare clothes: 1 banner of St. George motif, 1 royal motif / banner of Ralf Lord Basset of Drayton King's General / banner of Sir Thomas Erpingham, Commander of archers / Robessart lance pennon / archer's banner / Heinrichs V. Division banner of Holy Trinity / Sir Thomas Chaucer, lance pennon.

1/72-93: Hundred Years War. Agincourt, Oct. 25th, 1415. English army (2)

Banner of St. George, 2 different / banner of Holy Edward the Confessor (probably flown in Henry's Division) / The Royal Banner / banner of Thomas, Lord Camoys, King's General, Commander of left wing / Sir Edmund de Thorpe's banner / Earl of Pembroke's banner.

1/72-94: Hundred Years War. Agincourt, Oct. 25th, 1415. French army (1)

Banner of Charles, Duke d'Orleans / Banner of Jean le Meingre, Maréchal de France / crossbow-company's banner / Cross of St. Denis, 2 different banners as well as 2 fanfare clothes / standard of Duc d'Orleans / standard of Connétable de France, flown near d'Albret's position.

1/72-95: Hundred Years War. Agincourt 1415. French army (2)

The Holy Oriflamme Banner / banner of Edward, Duc de Bar / banner and 2 fanfare clothes of Charles d'Albret, Conetable de France / banner of Mathieu de Montmorency / Crossbowmen's company banner / banner, cross of St. Denis / standard of Duc de Bourbon / pennon of Jean V., Sieur de Poix.

1/72-96: Hundred Years War. Poitiers 1356. French army (1)

Banner and fanfare cloth of John II. king of France / the Dauphin's banner / banner of Guichard d'Angle, Sieur de Pleumartin. Seneschall of Santonge and commander of the king's life guard / Marschall d'Audrehem's banner / Crossbowmen company's banner / Amaury IV de Craon's pennon / Robert de Moreau, Seigneur de Fiennes' pennon / Renaud V. de Pons' pennon / Oudart de Renty's pennon/ Bernard Arneau de Pressac's pennon / Thibaut de Rochefort's pennon.

1/72-97: Hundred Years War. English and French armies. Mixed (1)

England: Standard of Richard Beauchamp, Earl of Warwick. King's General / pennon of Sir John Talbot / banner of Ralph Nevill, Earl of Westmorland, Rouen 1418 / king Richard II's standard / Thomas Beauchamp, King's General's banner. Taking part in John of Gaunt's Expedition to France in 1373 / banner of John de Montacute, King's General / Banner of Henry Despenser, bishop of Norwich, Flandres-Expedition 1383 / France: Jean, Duc de Berry's standard 1388 / banner and fanfare cloth of Bertrand du Guesclin, Conestable de France with Charles V / standard and fanfare cloth with cross of St. Denis(from 1375 on).

1/72-98: Hundred Years War. Crécy 1346. English army (1)

Royal Standard / Prince of Wales' standard / banner and fanfare cloth of Henry Plantagenet, Earl of Derby, Duke of Lancaster, King's General / banner of Guy, Lord Bryan, King's General / banner with St. George's cross.

1/72-99: Hundred Years War. Crécy 1346. English and French armies. Mixed

England: Standard and fanfare cloth with St. George's cross / Prince of Wales' banner / Bartholomew, Lord Burghershe's banner / Edward Lord le Despencer, King's



*Left: 1/72 ROFUR FLAGS sheets for ZVEZDA Age of Battles samurai clans.
Above: Example of two combined sheets for Samurai Headquarters.(1/72-193, 1/72-194).*



30 Years War Flags with Revell plastic Figures painted by Thomas Willers.



General's banner / France: Banner of Louis de Nevers, Earl of Flandres, 1. Division / banner of Genuese crossbowmen and infantry / Holy Oriflamme banner version / Royal fanfare cloth.

1/72-101: Hundred Years War. France, Johanna of Orleans

French lillys: 1 banner, 1 standard, 2 fanfare clothes / the virgin Johanna d'Orleans both personal standards / King Charles VII of France's banner / The Dauphin's banner / standard flown near the king / standard with cross of St. Denis.

1/72-188: Hundred Years War. Crécy 1346, Poitiers 1356. English and French. Released August 2008

England & Allied: Banner of: Sir Robert Bouchier, Poitiers and Sir John Bouchier, Crécy / Richard de Vere, Earl of Oxford. Crécy, Poitiers. Commander of long-bowmen / Eustace d'Aubrichicourt, Poitiers, Commander of German and Dutch mercenaries / Sir James Audley, King's General. Crécy, Poitiers / Guidon of Gaillard de Durfort, Sieur de Duras, Poitiers / Lance pennants: Sir Alan de Boxhulle. Crécy, Poitiers / Sir Guy de Brian, Crécy / Sir Thomas de Ferre. Crécy, Poitiers / Sir Richard Talbot Crécy, Calais / Augier de Montaut, Sieur de Mussidan. Poitiers.

France: Banner of: Charles, Comte d'Alencon. Crécy / Compte Edouard de Beaujeu. Crécy, Marshal of France 1347 / Jean d'Artois, Comte d'Eu. Poitiers / Jean de Mortagne, Seigneur de Landas. Poitiers / Baudoin d'Annequin. Master of Crossbowmen. Poitiers / Louis de Brienne, Vicomte de Beaumont. Poitiers / Lance pennants: Bernard Arneau de Pressac, Poitiers / Jacques de Créquy. Crécy.

**Late Medieval, Renaissance / Landskenets / Habsburg Empire 15th - 16th century
Swiss cantons, Burgundian wars, German Landsknechts, Habsburg Empire, peasant's uprisings, Hussite wars**

This series has been developed together with Thomas Willers.

1/72-55a: Swiss Cantons and Burgundy 1476/77

Burgundy, infantry flag, ca. 1450-1500 / Burgundian cavalry: banner of Louis de Chalons-Chateauguyon, taken by the Swiss at Granson 1476 / Burgundy, cavalry and infantry flag ca. 1450-1500 / Swiss cavalry and infantry flag, canton of Uri / Basel, cavalry and infantry flag / Zurich Levy main banner / Appenzell Levy Infantry flag.

1/72-57a: Schwiss Cantons ca. 1476 -1530 (1)

Zurich Levy crossbowmen and gunners flag 1512 / Appenzell, infantry flag / Bern canton, infantry and cavalry flag / Bern canton infantry flag / Uri canton infantry flag, from end of 14th cent. on / Swiss confederacy, cavalry flag / Fribourg, crossbowmen's company flag.

1/72-158: Holy Roman Empire under Maximilian I., 1493 - 1519 (1)

Imperial infantry flag / Suebian infantry flag / German infantry flag / Duchy of Bavaria, Artillerie flag ca. 1500 / Duchy of Bavaria, cavalry flag.

1/72-159: Holy Roman Empire under Maximilian I., 1493 - 1519 (2)

Imperial Landskenets flags, 3 different / Georgs von Frundsberg, knight and imperial leader, personal flag ca. 1500 / Duchy of Bavaria, cavalry flag ca. 1500 / Imperial cavalry flag.

1/72-160: Holy Roman Empire under Charles V., 1520 - 1556 (1)

3 different German Landsknechts flags / Landskenets flag of "lost company" / Imperial cavalry flag.

1/72-161: Holy Roman Empire under Charles V. (2). Mixed

Battle of Pavia 1512: Spanish infantry, 2 different flags / Milano Infantry flag / France: 1 infantry and 1 cavalry flag / Holy Roman Empire: cavalry flag.

1/72-162: 15th/16th century. German peasants wars

Flag of peasants leader Thomas Müntzer / peasant's "Bundschuh" flag / Nürnberg town infantry flag / Memmingen town infantry flag / "Georgischild" knights association flag.

1/72-163: Hussite Wars 1419-1437

Crusader's flag / Bavarian flag / Bohemian flag / Austrian flag / Saxon flag / Hussite cavalry flag / Hussite wagon pennon / Hussite infantry, 2 different flags.

1/72-164: Holy Roman Empire under Charles V., 1520 - 1556 (3) Mixed

Imperial Landsknechts flags, 2 different / Memmingen town infantry flag / Bavarian infantry flag / Electorate of Saxony, cavalry flag.

Late medieval flags of the Maximilian I./Charles V. period may be used with: ORION 72002 and 72004 "Landsknechts XVI-XVII cent."

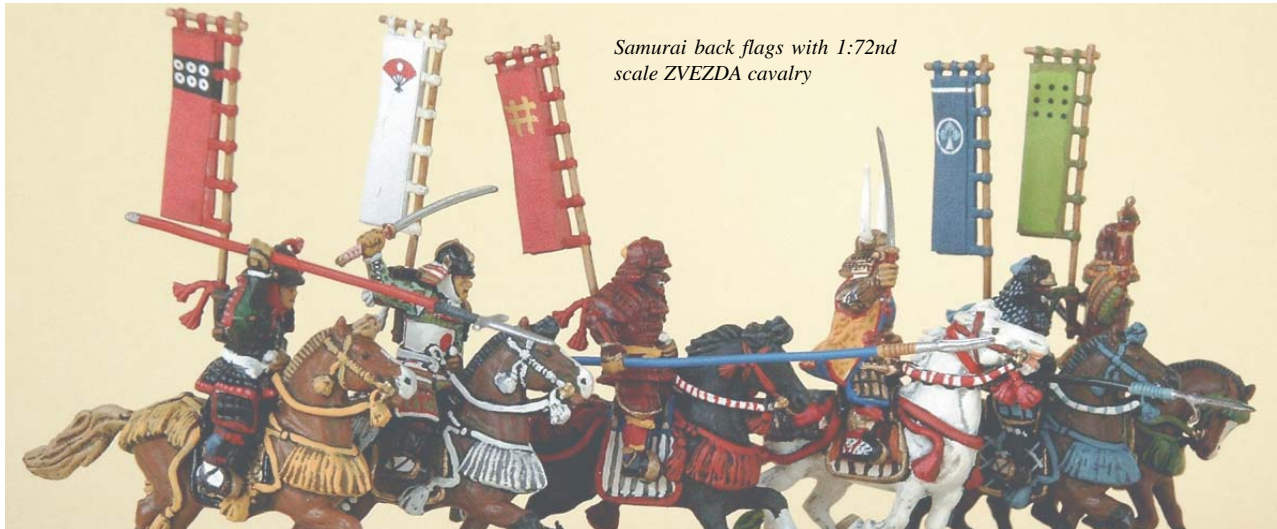
Also suitable to Strelets 15th cent. knights and infantry.

Japanese Samurai, 16th - 17th century

1/72-145 - 1/72-151 Flags and shield decorations are especially designed and fitting for figures of ZVEZDA Samurai set 8017. The set contains 1 flag-bearer with company-flag (nobori), 6 gunners protection shields and 24 back flags (sashimono) for samurai and ashigaru. Some examples and hints how flags are fixed and figures converted to flagbearers please see on ROFUR-FLAGS website: ><http://www.Rofur-Flags.de/samuraiabastelanleitung1.htm><.

Please note: With Japanese names, the family name ist the first one, followed by the personal name. So "Tokugawa Ieyasu" means Ieyasu of the Tokugawa family!

Although the flags of this series are especially sized to fit the ZVEZDA samurai's plastic flags, they may also easily be fitted at any other pole by folding them in the middle. To exactly fix the printed flag on to the ZVEZDA plastic flag, just cut the paper flag along its middle axis.



Samurai back flags with 1:72nd scale ZVEZDA cavalry

1/72-145: Samurai flags 1600-1638 (1). Tokugawa Ieyasu, Shogun of Japan 1603-1616

2 personal standards, 2 company flags (nobori), 6 gunners shield decorations, 25 Samurai back flags.

1/72-146: Samurai flags 1600-1638 (2). Tokugawa army

Honda Tadakatsu, true follower of Tokugawa Ieyasu: personal standard, 2 company flags (nobori), 7 gunners shield decorations, 28 Samurai back flags.

1/72-147: Samurai flags 1600-1638 (3). The red sundisk

"Hi no maru" is called the traditional red sundisk, used by several of the older nobility families. Especially to be used for troops associated with the Toyotomi-coalition: 1 noble standard, 2 company flags (nobori), gunners shield decorations, 24 Samurai back flags.

1/72-148: Samurai flags 1600-1638 (4). Widely used lettering motto

Japan characters, used by various samurai: 1 noble standard, 2 company flags (nobori), 7 gunners shield decorations, 28 Samurai back flags.

1/72-149: Samurai flags 1600-1638 (5). Toyotomi army: Defence of Osaka castle 1614/15

Sanada Yukimura, Commander of Osaka castle: personal standard, 2 company flags (Nobori), 3 Samurai back flags.

Ono Harunaga: personal standard, 1 company flag (nobori), 6 gunners shield decorations, 19 Samurai back flags.

1/72-150: Samurai flags 1600-1638 (6). "The Red Devils".

Li Naomasa, battle of Sekigahara 1600, and Li Naotaka, Osaka campaign 1614/15. The regiments raised by the Li family were furnished with red laquered armour. 1 noble standard, 3 company flags, 8 gunners shield decorations, 28 Samurai back flags.

1/72-151: Samurai flags 1600-1638 (7). Osaka 1615, Tokugawa army

Hoshina Matsamitsu: personal standard, 1 company flag, 6 gunners shield decorations, 14 Samurai back flags..

Satake Yoshinobu (at battle of Sekigahara 1600 fighting in the Toyotomi army, during Osaka campaign 1614/15 fighting alongside Tokugawa): personal standard, company flag, 4 gunners shield decorations, 13 Samurai back flags.

1/72-155 Samurai flags 1600-1638 (8). Cavalry back flags, Seizes suiting ZVEZDA 8025

Tokugawa Ieyasu, Shogun of Japan 1603-1616. 7 flags / Honda Tadakatsu, Tokugawa army. 7 flags / Red sundisc "Hi no maru", used by several older nobility families. A good choice for troops of Toyotomi coalition. 7 flags / written motto used by several samurai. 7 flags / Sanada Yukimura, commander of Osaka castle 1616, Toyotomi army, 7 flags.

1/72-156: Samurai flags 1600-1638 (9). Cavalry back flags, Seizes suiting ZVEZDA 8025

Hoshina Matsamitsu: 7 flags / Satake Yoshinobu (at battle of Sekigahara 1600 with Toyotomi army, during Osaka winter campaign 1614/15 with Tokugawa army), 7 flags / Li Naomasa, battle of Sekigahara 1600, and Li Naotaka, Osaka campaign 1614/15. 7 flags (Li troops wore red painted armour) / Defence of Osaka castle 1614/15: Oru Harunaga, Toyotomi army. 6 flags / sundisc symbol, 4 flags / written religious motto, 3 flags.

1/72-165: Samurai Army Headquarters 16th -17th cent. I (Tokugawa Ieyasu, Shogun of Japan 1603-1616). Seizes for ZVEZDA 8029. Sheet Nr. 1 of two sheets. Combining sheet is 1/72-166. General's standard, stickers for front and back parts of Headquarters fencing.

1/72-166: Samurai Army Headquarters 16th -17th cent. II (Tokugawa Ieyasu, Shogun of Japan 1603-1616)

Seizes suiting ZVEZDA 8029. Sheet Nr. 2 of two sheets. Combining sheet is 1/72-165. Stickers for right and left part of Headquarters fencing.

1/72-167: Samurai Army Headquarters 16th -17th cent. I (Sundisc Symbol). Seizes for ZVEZDA 8029. Sheet Nr. 1 of two sheets. Combining sheet is 1/72-168. General's standard, stickers for front and back parts of Headquarters fencing.

1/72-168: Samurai Army Headquarters 16th -17th cent. II (Sundisc Symbol). Seizes for ZVEZDA 8029. Sheet Nr. 2 of two sheets. Combining sheet is 1/72-167. Stickers for right and left part of Headquarters fencing.

1/72-169: Samurai infantry flags 16th -17th cent., mixed (1). Seizes for ZVEZDA 8017 Samurai infantry:

10 back flags (3 different motifs), 10 gunner's shield decors (3 different), 2 company flags, 1 Toyotomi Hideyori personal banner and one further ruler's standard. 1 flag of christian rebels, Shimabara rebellion 1637/38.

1/72-170: Samurai infantry flags and gunner's shield decorations 16th - 17th cent., mixed (2). Seizes suiting ZVEZDA 8017 Samurai infantry:

18 back flags (5 different motifs), 14 gunner's shield decors (4 different), 2 company flags, 1 ruler's flag.

1/72-171: Samurai cavalry back flags (sashimono) 16th -17th cent., mixed. 35 back flags Seizes suiting ZVEZDA 8025 Samurai cavalry.

1/72-189: Takeda Shingen Army Headquarter part I for ZVEZDA 8029. Released March 2008. Decoration for gate parts and back part of fencing. 1/72-190 contains decoration for fencing side parts.

1/72-190: Takeda Shingen Army Headquarter part II for ZVEZDA 8029. Released March 2008. Decoration for fencing side parts. 1/72-189 contains decoration for gate parts and back part of fencing.

1/72-191: Takeda Shingen samurai cavalry for ZVEZDA 8025. Released March 2008. 41 back flags.

1/72-192: Takeda Shingen samurai Infantry for ZVEZDA 8017. March 08. 1 personal standard, 1 big and 2 smaller troop flags, 7 shield decors, 28 back flags.

1/72-193: Oda Nobunaga. Army Headquarter part I for ZVEZDA 8029. Released March 2008. Decoration for gate parts and back part of fencing. 1/72-194 contains decoration for fencing side parts.

1/72-194: Oda Nobunaga. Army Headquarter part II for ZVEZDA 8029. Released March 2008. Decoration for fencing side parts. 1/72-193 contains decoration for gate parts and back part of fencing.

1/72-195: Oda Nobunaga samurai Cavalry for ZVEZDA 8025. Released March 2008. 41 back flags.

1/72-196: Oda Nobunaga samurai infantry for ZVEZDA 8017. Released March 2008. 1 personal standard, 1 big and 2 smaller troop flags, 7 shield decors, 28 back flags.



ZVEZDA 1:72nd scale Polish winged Hussars. The members of this elite troop came from the Polish gentry. The size of their lance-flags merely resembled a standard than a pennon. Also the King's flag showed large dimensions!

Right: ZVEZDA 1:72nd scale Ottoman Janissaries. The troop had been raised from converted christian boys in the 14th century. By the End of the 17th century, Janissary troops comprised about 20 000 Men. The troops were under direct command of the Sultan himself. 1826 the Janissary Regiments, now more than 120.000 men and to a great part consisting of muslims, were finally disbanded.

1/72-197: Uesugi Kenshin 1538-78 Army Headquarter part I for ZVEZDA 8029. Decoration for gate parts and back part of fencing. 1/72-198 contains decoration for fencing side parts.

1/72-198: Uesugi Kenshin 1538-78 Army Headquarter part II for ZVEZDA 8029. Released March 2008. Decoration for fencing side parts. 1/72-197 contains decoration for gate parts and back part of fencing.

1/72-199: Uesugi Kenshin samurai infantry 1538-78 for ZVEZDA 8017. Released March 2008. 1 personal standard, 1 big and 2 smaller troop flags, 7 shield decors, 28 back flags.

1/72-200: Uesugi Kenshin samurai cavalry 1538-78 for ZVEZDA 8025. Released March 2008. 41 back flags.

1/72-201: Hojo Ujiejyasu 1515-71 Army Headquarter part I for ZVEZDA 8029. Decoration for gate parts and back part of fencing. 1/72-202 contains decoration for fencing side parts.

1/72-202: Hojo Ujiejyasu 1515-71 Army Headquarter part II for ZVEZDA 8029. Released March 2008. Decoration for fencing side parts. 1/72-201 contains decoration for gate parts and back part of fencing.

1/72-203: Hojo Ujiejyasu samurai infantry 1515-71 for ZVEZDA 8017. Released March 2008. 1 personal standard, 1 big and 2 smaller troop flags, 7 shield decors, 28 back flags.

1/72-204: Hojo Ujiejyasu samurai cavalry 1515-71 for ZVEZDA 8025. Released March 2008. 41 back flags.

1/72-205: Imagawa Yoshimoto 1519-60 Army Headquarter I for ZVEZDA 8029. Released March 2008. Decoration for gate parts and back part of fencing. 1/72-206 contains decoration for fencing side parts.

1/72-206: Imagawa Yoshimoto 1519-60 Army Headquarter part II for ZVEZDA 8029. Released March 2008. Decoration for fencing side parts. 1/72-205 contains decoration for gate parts and back part of fencing.

1/72-207: Imagawa Yoshimoto samurai infantry 1519-60 for ZVEZDA 8017. Released March 2008. 1 personal standard, 1 big and 2 smaller troop flags, 7 shield decors, 28 back flags.

1/72-208: Imagawa Yoshimoto samurai cavalry 1519-60 for ZVEZDA 8025. 41 back flags.

English Civil War 1642 -1651

1/72-04: English Civil War Infantry 1642 -1651 (1)

Scots Army: Master of Yester's Regiment of Foot 1642. / *Royal Army:* 3rd Captain's Company, Sir Edward Strading's Regiment of Foot 1642.

Parliament Army: 3rd Captain's Company, Tower Hamlet's Regiment of Foot 1644 / 1st Captain's Company, Yellow Regiment of Foot London trained Bands 1643 / 3rd Captain's Company, Green Regiment of Foot, London trained Bands 1643.

1/72-05: English Civil War Infantry 1642 -1651 (2)

Parliament Army: 2nd Captain's Company, Red Regiment of Foot, London trained Bands 1643 / Colonel's Company, Charles Fairfax Regiment of Foot, Preston 1648, Worcester 1651. / *Royal Army:* 1st Captain's Company, Lamplugh's Regiment of Foot, Marston Moor 1644 / 3rd Captain's Company, Sir Alan Aspley's Regiment of Foot 1642. / *Scots Army:* 2nd Captain's Company, Alexander Stewart's Edinburgh Regiment of Foot, Dunbar 1650.

1/72-06: English Civil War Infantry 1642 -1651 (3)

Royal Army: 1st Captain's Company, King's Lifeguard of Foot 1642 / 1st Captain's Company, Charles Gerard's Regiment of Foot 1642. / *Scots Army:* Marquess of Argyle's Regiment of Foot 1643/44. / *Royalist Scots:* Marquess of Huntly's Strathbogie Regiment of Foot, Aberdeen 1644. / *Parliament Army:* 3rd Captain's Company, Orange Auxiliaries Regiment of Foot, London trained Bands 1643.

1/72-07: English Civil War Infantry 1642 -1651 (4)

Scots Army: Keith's Regiment of Foot, Preston 1648. / *Royal Army:* Sir Arthur Aston's Regiment of Foot 1643 / 2nd Captain's Company, Sir Lewis Dyve's Regiment of Foot 1644 / Major's Company, James Pennyman's Regiment of Foot 1644.



Thirty Years War 1618 - 1648

1/72-174: Thirty Years War 1618 - 1648 (1), Imperial Catholic troops I

Imperial infantry, 2 flags / Spanish infantry flag ca. 1600-1650 / Imperial Regt. of Foot Verdugo, flag / Imperial cavalry, 2 different standards / standard, Electoral Bavarian cavalry / Imperial arquebusiers, standard.

1/72-175: Thirty Years War 1618 - 1648 (2), Bohemian War 1618/20. Suiting the battle at white mountain 1622.

Imperial infantry, flag / Bavarian infantry, flag / Imperial cavalry, standard / Electoral Bavarian cavalry standard / Bohemian infantry, 2 flags / Bohemian cavalry, 2 standards.

1/72-176: Thirty Years War 1618 - 1648 (3), Protestant Troops I

Danish infantry flag (Danebrog) / Scottish infantry in Swedish service, flag / Swedish infantry flag / Regiment of foot Schlammersdorf flag / Mansfeld army infantry flag / Swedish cavalry, 2 standards.

1/72-177: Thirty Years War 1618 - 1648 (4), Protestant Troops II

Swedish Infantry, 3 different flags / Swedish cavalry, 3 different flags / Houwald's Regt. of foot, flag / Mansfeld army infantry flag.

1/72-178: Thirty Years War 1618 - 1648 (5), Imperial Catholic troops II: 1632. Suiting the battle of Lützen 1632.

Imperial infantry flag / Electoral Bavarian infantry flag / Mansfeld army infantry flag / Regiment of foot Breuner, flag / Electoral Bavarian cavalry regiment Tilly, standard / Pappenheim-cuirassiers, standard / Mansfelder cavalry, standard / Imperial cavalry, standard.

1/72-179: Thirty Years War 1618 - 1648 (6), Protestant Troops III: 1632 Army of Gustavus Adolphus. Suiting the battle of Lützen 1632.

Gustav Adolph Life Guard flag / The old blue regiment of foot 1633-35, flag / Wilhelm Bürt's old white regiment of foot 1632, flag / Bernhard of Saxony's cuirassiers standard / Uppland cavalry regiment, 2 different squadron standards / Öhm's cavalry regiment, standard / William of Weimar Life Guard cavalry standard / cavalry-regiment Tott, 2 different squadron standards.

1/72-180: Thirty Years War 1618 - 1648 (7), French infantry

Regimental flags: 1 each of: Regiment de Turenne / Regiment de Calvisson / Regiment de Picardie / Regiment de la Champagne / 2 verschiedene für Gardes Francaises.

1/72-181: Thirty Years War 1618 - 1648 (8), Dutch and Spanish infantry. 1600-1650: Spanish infantry, 2 different flags / Dutch infantry, 2 different flags.

17th century / Great Northern War / European-Ottoman Wars

Russia

1/72-56a: Russia. Streltsi ca. 1700. Regimental Flags for Regts. Nr. 5, 6, 7, 8, 9, 10, 12. Released August 2008.

Poland

1/72-59a: Polish Winged Hussars, 2nd half of 17th Cent., I. 1 Banner and 9 identical lance pennons. Released August 2008.

1/72-60a: Polish Winged Hussars, 2nd half of 17th Cent., II. 1 Banner and 9 identical lance pennons. Released August 2008.

1/72-217: Polish Winged Hussars, 1st half of 17th Cent. 1 Banner and 8 different lance pennons for lifeguard company (company of courtiers). August 2008.

Ottoman Empire

Research had kindly been supported by Mr. Teoman Yanikoglou.

1/72-214: Ottoman Empire. Janissaries, 14th Cent.-1826. 8 different Janissary flags, 1 general ottoman flag. Released August 2008.

>>> *As shapes and symbols used with muslim military flags underwent but minor changes during historical periods, the flags may well be used from the time of crusades up to the end of 19th century!*

1/72-215: Ottoman Empire, Infantry and Cavalry. 16 flags and 4 pennons. Released August 2008.

>>> *As shapes and symbols used with muslim military flags underwent but minor changes during historical periods, the flags may well be used from the time of crusades up to the end of 19th century!*

Scottish Jacobite Rebellion 1715/16 and 1745/46

1/72-136: Scottish Jacobite Rebellion 1745/46. British Infantry (1)

King's Colour and Regimental Colour 37th Foot, Culloden 1746 / King's Colour and Regimental Colour 3rd Foot (Howard's Regiment), Culloden 1746 / King's Colour and Regimental Colour 4th Foot (Barrell's Regiment), Culloden 1746.

1/72-137: Scottish Jacobite Rebellion 1745/46. British Infantry (2)

King's Colour and Regimental Colour 1st Foot (Royals) In Schottland 1745/46. Battles of Prestonpans and Culloden / King's Colour and Regimental Colour 14th Foot (Price's Regiment). Culloden 1746 / King's Colour and Regimental Colour 8th Foot (Wolfe's or The King's Regiment). Culloden 1746.

1/72-24 Scottish Jacobite Rebellion 1715/16 und 1745/46. Jacobite army 1

6 different variations with St. Andrew's cross / Flag of the Scottish king or his marshall on the battlefield / Glenbucket's Regts. flag (Culloden).

1/72-25 Scottish Jacobite Rebellion 1715/16 und 1745/46. Jacobite army 2

4 different variations with St. Andrew's cross / Culloden-flag ("Commit The Work to God") / Appin Banner (Culloden), 2nd Btn. Lord Ogilvy's Regt. 1745/46.

1/72-26 Scottish Jacobite Rebellion 1715/16 und 1745/46. Jacobite army 3

Lovat (Culloden) / John Roy Stewart's Regt. Culloden / 5 different with St. Andrew's cross.

1/72-29 Scottish Jacobite Rebellion 1715/16 und 1745/46. Jacobite army 4

Bataillon Royal Eccossois / Ardshield's Regiment / Clan-flag, Culloden / "Nemo me impune Lacessit" flag, Culloden / 3 different variations with St. Andrew's cross.

French and Indian War 1754-1760

The war between Great Britain and France in North America during the Seven Years war.

1/72-138: French and Indian War 1754-1760. British Infantry (1)

1st and 2nd flag, 47th Foot. Louisbourg 1758, Quebec 1759 / 1st and 2nd flag, 45th Foot, Louisbourg 1758 / 1st and 2nd flag, 35th Foot. (1757 Fort William Henry, 1758 Louisbourg, 1759 Quebec).

1/72-139: French and Indian War 1754-1760. British Infantry (2)

1st and 2nd flag, 27th Foot (Royal Inniskilling Fusiliers) 1758 Fort Carillon / 1st and 2nd flag, 1st Foot (Royals). Louisbourg 1758 / 1st and 2nd flag, 44th Foot.



1/72 ZVEZDA Polish winged Hussars
16th and 17th centuries.
Figures: Thomas Willers

Fort Carillon 1758.

1/72-140: French and Indian War 1754-1760. French Infantry (1)

Each Regiment had one white flag and several "ordnance flags" of identical design.

Regiment Royal Roussillon, white flag and ordnance flag. (1757 Fort William Henry, 1758 Carillon, 1759 Quebec, 1760 Montreal) / Regiment Artois, ordnance flag. Louisburg 1758 / Regiment Béarn, ordnance flag. Oswego 1756, Fort Carillon 1758, Quebec 1759, Montreal 1760.

1/72-141: French and Indian War 1754-1760. French Infantry (2)

Each Regiment had one white flag and several "ordnance flags" of identical design.

Regiment La Reine, white flag and ordnance flag. 1755 Lake George, 1757 Fort William Henry, 1758 Fort Carillon, 1759 Quebec, 1760 Montreal / Regiment Languedoc, ordnance flag. 1755 Lake George, 1757 Fort William Henry, 1758 Fort Carillon, 1759 Quebec, 1760 Montreal / Regiment Bourgogne. Ordnance flag, Louisburg 1758.

1/72-142: French and Indian War 1754-1760. Französische Infanterie (3)

Each Regiment had one white flag and several "ordnance flags" of identical design.

Kanadische Milizen, ordnance flag, Fort Carillon 1758 / Regiment Royal La Marine, white flag and ordnance flag. 1758 Fort Carillon / Regiment La Sarre, ordnance flag. 1756 Oswego, 1757 Fort W. Henry, 1758 Fort Carillon, 1759 Quebec, 1760 Montreal.

Seven Years War 1756 -1763

1/72-143: Seven Years War 1756 - 1763. French Infantry (1). Each Regiment had one white flag and several "ordnance flags" of identical design.

Regiment Royal Roussillon white flag and ordnance flag / Regiment La Couronne, white flag and ordnance flag.

1/72-144: Seven Years War 1756 - 1763. French Infantry (2). Each Regiment had one white flag and several "ordnance flags" of identical design.

Regiment La Marine, ordnance flag / Regiment Diesbach, white flag and ordnance flag / Regiment Piemont, ordnance flag.

1/72-87: Austria 1741-1756. Each Regiment had one white flag and several "ordnance flags" of identical design.

Infantry: 1 white flag and 2 ordnance flags / Hungarian Infanterie: white flag and ordnance flag / Cavalry: 1 white flag and 2 ordnance flags.

1/72-88: Austria 1756-1781/92. Infantry: 1756-1781. 1 white flag and 3 ordnance flags / Cavalry: 1 white flag and 3 ordnance flags.

1/72-182: Prussian cavalry standards 1743-1807

1 standard per Regt. unless otherwise stated:

Guard cavalry: Regiment Gardes du Corps, 1798-1815. Life standard, regimental standard.

Cuirassiers of the line: Cuirassiers Regt. Nr. 1, 1753-1806 / Cuirassiers Regt. Nr. 2, 1753-1806 / Cuirassiers Regt. Nr. 4, 1753-1807 / Cuirassiers Regt. Nr. 5 / Cuirassiers Regt. Nr. 7, 1753-1806 / Cuirassiers Regt. Nr. 8, 1753-1806 / Cuirassiers Regt. Nr. 12, life standard and regimental standard 1753-1807 /

Dragoons: Dragoons Regt. Nr. 1, 1753-1806 / Dragoons Regt. Nr. 2, 1753-1806 / Queen's Dragoons Nr. 5, 1753-1807 / Dragoons Regt. Nr. 9, 1753-1806 / Dragoons Regt. 11, 1753-1806.

Hussars: Hussars Regt. Nr. 1 / Hussars Regt. Nr. 2 / Hussars Regt. Nr. 3 / Hussars Regt. Nr. 4 / Hussars Regt. Nr. 5 / Hussars Regt. Nr. 6.

1/72-82: Prussian Infantry 1753-1786 (1). Regt. Nr. 1-3. 1 life company flag and 2 regimental flags per regt. Were used until 1806.

1/72-83: Prussian Infantry 1753-1786 (2). Regt. Nr. 4-6. 1 life company flag and 2 regimental flags per regt. Were used until 1806.

1/72-84: Prussian Infantry 1753-1786 (3). Regt. Nr. 7-9. 1 life company flag and 2 regimental flags per regt. Were used until 1806.

1/72-85: Prussian Infantry 1753-1786 (4). Regt. Nr. 10-12. 1 life company flag and 2 regimental flags per regt. Were used until 1806.

1/72-86: Prussian Infantry 1753-1786 (5). Regt. Nr. 13-15. 1 life company flag and 2 regimental flags per regt. Were used until 1806.

1/72-53a: Prussian infantry 1756-1806.

1 life company flag und 2 regimental flags each: Infantry Regt. Nr. 36 (1806 v.Putkamer) / Infantry Regt. Nr. 34 (1806 Prinz Ferdinand) / Infantry Regt. Nr. 28 (1806 Malschitzki) / Infantry Regt. Nr. 35 (1806 Prinz Heinrich).

American Revolution 1775-1783

1/72-08: American Revolution 1775-1783 (1). Patriots and Continental Army 1.

The Grand Union, 1st American National Flag, Jan 1776 - July 1777 / 2 different Patriot flags, e.g. Bunker Hill 1775 / Sons of Liberty Flag (rattle snake) / American National Flag from July 1777 on, Variation / National Flag Variation, e.g. Yorktown 1781.

1/72-09: American Revolution 1775-1783 (2). Patriots and Continental Army 2.

Patriots Liberty Flag 1775 / American National Flag from July 1777 on, 2 Variations / Militia flag "don't tread on me" / National flag variation, e.g. Yorktown 1781 / General Washington's Headquarter's flag.

1/72-10: American Revolution 1775-1783 (3). British Infantry 1.

Regimental colour and king's colour 23rd Foot (The Royal Welch Fusiliers). Amerika from 1773 on. Lexington, Bunker Hill 1775. New York, Brandywine 1777. Cambden 1780, Yorktown 1781 / Regimental colour and king's colour, Queen's Rangers of America / Regimental colour and king's colour 5. Foot (Royal Northumberland Fusiliers). In Amerika 1774-1778. Lexington & Bunker Hill 1775, New York & Germantown 1777.

1/72-11: American Revolution 1775-1783 (4). British Infantry 2.

Regimental colour and king's colour 4th Foot (King's Own), Amerika since 1774. Lexington & Bunker Hill 1775, New York, Germantown 1777 / Regimental colour and king's colour 27th Foot (Royal Inniskilling Fusiliers), Boston 1775. New York, Brandywine 1777 / Regimental colour and king's colour 9th Foot (Quebec 1776,



1:72nd scale Hät plastic Prussian Musketeers 1806

Burgoyne's 1777-Feldzug, Saratoga 1777).

1/72-12: American Revolution 1775-1783 (5). British Infantry 3.

33th Foot, regimental colour and king's colour. With Cornwallis in Amerika since Mai 1776. Charleston 1776, New York 1777, Virginia und Carolinas-campaign, 1781 Yorktown / regimental colour and king's colour 3rd Foot (The Buffs), In Amerika Juni-Sept. 1781. Eutaw Springs, Carolinas 1781 / regimental colour and king's colour 18th Foot (Royal Irish Regiment). Boston 1774. New York, New Jersey campaign 1776/77, Brandywine 1777, Germantown, Stony Point 1779, Yorktown 1781.

1/72-134: American Revolution 1775-1783 (6). French Infantry 1.

Each regiment flew one white flag and several ordnance flags of identical colouring.

1 white flag and 1 ordnance flag, Regiment Royal Deux Ponts, Yorktown 1781 / Regiment Bourbonnais, white flag and ordnance flag. (Yorktown 1781) / Regiment Touraine, 1 white flag and ordnance flag. (Yorktown 1781) / white flag and ordnance flag, Regiment Soissonais.

1/72-135: American Revolution 1775-1783 (7). French Infantry 2.

Each regiment flew one white flag and several ordnance flags of identical colouring.

White flag and ordnance flag, Regiment Saintonge (Yorktown 1781) / white flag and ordnance flag, Regiment Gatinais, Yorktown 1781 / white flag and ordnance flag, Regiment Auxonne (Yorktown 1781) / Regiment Agenois, ordnance flag (Yorktown 1781).

Napoleonic Wars

France 1804-1815

1/72-22: France 1809-15. Lance pennons (1) Imperial Guard.

1st (Polish) Lancers and Scouts of the Guard, 14 pennons / Lithuanian Tartars 1812-13, 11 pennons (2 Variations) / Gendarmerie of Spain, 2nd mounted legion: 3 pennons / 2nd (Dutch) Lancers, 14 pennons.

1/72-23: France 1809-15. Lance pennons (2) Lancers of the Line

1st-6th Lancers, 19 pennons / 7th and 8th Lancers, 11 pennons / 9th Lancers, 4 pennons / 1st and 2nd Lancers of Berg, 4 pennons each / 2nd elite-squadron of 31st mounted Chasseurs 1813-14, 3 pennons.

1/72-172: France 1809-15, Lance Pennons (3). 1st (Polish) Lancers of the Guard, 43 pennons.

1/72-173: France 1809-15, Lance Pennons (4)

2nd (Dutch) Lancers of the Guard and 1st - 6th Lancers of the Line. 41 pennons, suitable for all 7 regiments.

1/72-104: 1st - 6th Lancers of the Line. 1 Standard each and 33 Lance pennons - all pennons suitable for all 6 regiments.

1/72-115: France, Great Army 1812 (1)

1 regimental flag each for: Westfalia Infantry Regt. 1807-15 / 9th Line Infantry 1804-12 / 2nd Line Infantry 1804-12 regt.-flag and bataillon-flags of bataillon Nr. 2, 3, 4, 6 / mounted Chasseurs of the Guard, standard 1804-12 / bataillon-flags for 6th, 5th and 4th bataillons of Line Infantry 1808-14 / standard, 23rd Dragoons 1804-12 / Pennon for helbard of 2nd and 3rd eagle-bearer 1808-14, 2 each.

1/72-116: France, Great Army 1812 (2)

1 regimental flag each for: 12th Line Infantry 1804-12 / 7th Light Infantry 1812-14 / 17th light Infantry 1804-12 regt.-flag and 1 marker flag of Carabinier company 1812 / 4th mounted Chasseurs 1812-14 / 4th Cuirassiers 1804-12 / 12th Cuirassiers 1804-12 / 6th mounted Chasseurs 1804-12 / Mamelukes de la Garde 1805-13 / 1st Foot Chasseurs of the Guard 1804 and 1811-12 / 7th Light Infantry, Bataillon flag of 4th Btn. 1812 / 9th Line Infantry, Voltigeur marker flag / 1st Voltigeurs Young Guard, flag 1812 / Halberd Pennons of 2nd and 3rd eagle-bearers 1808-14 / Bataillon flag for 2nd bataillons of Line Infantry 1808-14.

1/72-117: France, Geat Army 1812 (3)

1 regimental flag each for: 92nd Line Infantry 1812-14 / 24th Light Infantry 1812-14 / Cuirassier Regiments Nr. 5, 8, 9, 11, 14 during 1804-1812 / 2nd Carabiniers 1804-12 / 6th Regiment Horse Artillery of the Line 1804-1812 / 5th Regt. Foot Artillery of the Line 1804-1812 / 2nd and 6th Lancers of the Line 1812-14 / 30th and 28th Dragoons 1804-12 / 2nd (Dutch) Lancers of the Guard 1810-12 / 1st Foot Chasseurs of the Guard 1804-12 / Empress Dragoons of the Guard 1804-12 / Different flags: Bataillon flag for 3rd bataillons of Line Infantry 1808-14 / Halberd Pennons of 2nd and 3rd eagle-bearers 1808-14.

1/72-118: France 1804-1814 (1)

1 regimental flag each for: 3rd, 4th, 33rd, 66th, 111th Line Infantry. Each 1804-12 / 7th Light Infantry, flag for 4th Btn 1809 / 7th Dragoons 1804-12 / 5th, 12th Cuirassiers 1804-12 / 6. Regiment Mounted Line Artillery 1804-12 / 5th Foot Artillery of the Line 1804-12 / Mounted Artillery of the Guard 1805-13 / 1st Foot Grenadiers of the Guard 1804-13 / Marines of the Guard 1804-13 / Flag for flank company 8th Light Infantry 1809 / Flag for flank company of unknown Light Infantry / Halberd Pennons of 2nd and 3rd eagle-bearers 1808-14 / Lancers of the Line: 1 Lance pennon each for Regt. Nrs. 1-6, Nrs. 7 and 8.

1/72-119: France 1804-1814 (2)

1 regimental flag each for: 12th, 46th, 93rd Line Infantry 1812-14 / 10th, 15th, 24th Light Infantry. Each 1812-14 / 3rd (Dutch) Grenadiers of the Guard 1811-13 / 9th mounted Chasseurs 1812-14 / 6th Lancers 1812-14 / 7th Dragoons 1804-12 / 1st Carabiniers 1804-12 / 2nd Foot Grenadiers of the Guard 1804/1811-14 / 2nd Foot Chasseurs of the Guard 1804 and 1811-13 / Different flags: 1st (Polish) Lancers of the Guard, 2 Lance pennons / Halberd Pennons of 2nd and 3rd eagle-bearers 1808-14, 2 each.



Russian flags of Napoleonic Wars with 1:72nd scale ZVEZDA plastic figures and - far right - 1 ITALERI grenadier flagbearer figure.

1/72-120: France 1804-1814 (3)

1 regimental flag each for: 1st Foot Grenadiers of the Guard, April 1813-14 / 1st Foot Chasseurs of the Guard, Mai 1813-14 / Mounted Chasseurs of the Guard / Mamelukes of the Guard / Horse Grenadiers of the Guard / 19th mounted Chasseurs / Elite Gendarmerie of the Guard / 1st and 46th Line Infantry. Each 1812-1814 / 7th, 10th, 24th Light Infantry. Each 1812-1814 / 4th mounted Chasseurs / Different flags: Flag, Grenadier Company 63th Line Infantry / Flag, 13th Voltigeurs of Young Guard ca 1813 / Flag, Voltigeur company, 3rd Line Infantry 1813 / Flag, 5th Tirailleurs -Grenadiers of Young Guard ca.1812-14 / Halberd Pennons of 2nd and 3rd eagle-bearers 1808-14.

1/72-126: France, Great Army 1812 (4)

1 regimental flag each for: 2nd, 4th, 17th, 18th, 21st, 30th, 61st, 126th Line Infantry, each 1804-12 / 26th Light Infantry 1804-12 / 1st Hussars 1804-12 / 11th Hussars 1812 / 24th mounted Chasseurs 1804-12 / 2nd Horse Artillerie of the Line 1804-12 / 4th Cuirassiers 1812-14 / 2nd mounted Chasseurs 1812-14 / Flag for 3rd Bataillons of Line Infantry 1808-14 / Halberd Pennons of 2nd and 3rd eagle-bearers 1808-14.

1/72-127: France 1812-1814 (1)

1 regimental flag each for: 16th, 37th, 81st, 101st, 102nd Infantry of the Line. Each 1812-14 / 1st, 2nd, 3rd, 5th, 9th Cuirassiers. Each 1812-14 / 1st, 11th, 18th, 26th Dragoons. Each 1812-14 / 2nd Carabiniers 1812-14 / 2nd and 8th Hussars, each 1812-14 / 6th and 9th mounted Chasseurs. Each 1812-14 / 3rd and 4th Lancers of the Line, each 1812-14 / 1st Marine Artillerie 1812-14.

1/72-128: France, Great Army 1812 (5)

1 regimental flag each for: 56th Line Infantry. Each 1804-12 / 12th, 25th, 61st Line Infantry. Each 1812-14 / 11th Light Infantry 1804-12 / 4th Light Infantry. Each 18012-14 / 1st Regt. Foot Artillery 1804-12 / 7th and 13th Hussars, each 1804-12 / 1st mounted Chasseurs 1812 / 16th mounted Chasseurs 1804-1812 / 3rd mounted Chasseurs 1812-14 / 6th Cuirassiers 1804-12 / 3rd Regt. mounted Artillery of the Line 1804-1812 / 28th Dragoons 1812-14 / Halberd Pennons of 2nd and 3rd eagle-bearers 1808-14.

1/72-129: France 1804-1815 (1)

1 regimental flag each for: 112th Line Infantry 1812-14 / 1st, 37th, 70th Line Infantry. Each 1815 / 1st Light Infantry 1815 / 7th mounted Chasseurs 1804-12 / Adler 2nd, 15th Dragoons 1804-12 / 1st, 12th, 17th 22th 26th Dragoons. Each 1815 / 7th, 8th Cuirassiers 1812-14 / 1st, 7th Cuirassiers 1815 / 7th Regiment Foot Artillery of the Line 1804-12 / Flag for 5th Bataillons of Line Infantry 1808-14 / 1st Marine-Artillerie 1812-14 / 6th, 10th Hussars. Each 1812-14 / Halberd Pennons of 2nd and 3rd eagle-bearers 1808-14.

1/72-130: France 1804-1815 (2)

1 regimental flag each for: 16th, 33rd, 85th Line Infantry. Each 1812-14 / 2nd, 22nd Line Infantry. Each 1815 / 15th Light Infantry 1815 / 1st Foot Grenadiers of the Guard 1804-12 / 5th, 20th, 29th, 30th Dragoons. Each 1804-12 / 5th, 6th, 9th, 11th, 15th, 18th, 19th, 20th Dragoons. Each 1815 / 11th Cuirassiers 1812-14 / 7th Hussars 1812-14 / 29th mounted Chasseurs 1812-14 / Artillerie Train 1815 / Halberd Pennons of 2nd and 3rd eagle-bearers 1808-14.

1/72-131: France 1812-1814 (2)

1 regimental flag each for: 5th, 13th, 16th, 23rd, Line Infantry. Each 1812-14 / 4th, 7th, 8th Cuirassiers. Each 1812-14 / 2nd, 4th, 8th, 9th, 12th, 23rd, 24th, 28th Dragoons 1812-14 / 1st and 11th mounted Chasseurs, each 1812-14 / 1st and 5th Lancers of the Line, each 1812-14 / 2nd Marine Artillerie 1812-14.

1/72-132: France 1804-1815 (3)

1 regimental flag each for: 13th, 106th, 123rd Infantry of the Line. Each 1812-14 / 23rd, 34th, 64th Infantry of the Line. Each 1815 / 3rd mounted Line Artillery 1804-12 / 5th, 14th Dragoons. Each 1804-12 / 8th, 9th, 13th, 16th Dragoons. Each 1815 / 10th Cuirassiers 1812-14 / 6th, 8th, 10th Cuirassiers. Each 1815 / 4th Lancers of the Line 1812-14 / Mounted Guard Artillery 1815.

1/72-157: France. Infantry of the Guard 1804-1815

1 regimental flag each for: 1st Foot Grenadiers of the Guard 1804-11, 1st Btn. flag / 1st Foot Grenadiers of the Guard 1804-1808, 2nd Btn. flag / 1st Foot Grenadiers of the Guard 1811-12 / 1st Foot Grenadiers of the Guard April 1813-14 / 1st Foot Grenadiers of the Guard 1815 / 1st Foot Grenadiers of the Guard 1815, "Elba flag" / 3rd (Dutch) Foot Grenadiers of the Guard 1811-13 / 1st Foot Chasseurs of the Guard 1804-1811, 1st Btn. flag / 1st Foot Chasseurs of the Guard, May 1813-1814 / 1st Foot Chasseurs of the Guard 1811 / 1st Foot Chasseurs of the Guard 1815 / 1st Foot Chasseurs of the Guard, 2 different Fanions / Young Guard: 5th Tirailleurs-Grenadiers 1813 / 1st Voltigeurs, Young Guard, Flag 1812 / 13th Voltigeurs Young Guard ca 1813.

Some flags have been extracted from other ROFUR-FLAGS-Sheets. This sheet had been arranged in cooperation with Gunter Janoschke, Germany.

French Revolutionary War 1792 -1804

1/72-236: French Infantry, Revolutionary Wars 1791-1804 (1). (>>>Jan. 2009)

1/72-237: French Infantry, Revolutionary Wars 1791-1804 (2). (>>>Jan. 2009)

1/72-238: French Infantry, Revolutionary Wars 1791-1804 (3). (>>>Jan. 2009)

1/72-239: French Infantry, Revolutionary Wars 1791-1804 (4). (>>>Jan. 2009)

Peninsular War 1807-1814

1/72-186: Peninsular War 1807-1814 (1) Portugese Army

19th Line Infantry 1806-15, King´s flag / 9th Line Infantry 1806-15, King´s flag and Bataillon flag / 11th Line Infantry 1806-15, Bataillon flag / 21st Line Infantry 1806-15, King´s flag / 23rd Line Infantry 1806-15, Bataillon flag / Cavalry Regiments: Standard of 1st Squadron, 2nd Squadron, 3rd Squadron - 1 each.



Napoleonic period flags with tin figures 1:72nd scale of ART MINIATUREN ZINNFIGUREN



1/72-187: Peninsular War 1807-1814 (2) Spanish Infantry

Bataillons of Marines, King's flag 1802-14 / Regiment Irlanda, King's flag 1802-14 / Regiment de la Princesa, King's flag 1807-14 / Regiment La Corona, Bataillon flag 1802-14 / Regiment Guadalajara, King's flag 1802-14 (Denmark-Campaign under General La Romana) / Regiment of Gerona, King's flag 1802-14 / Regiment La Gardia Real, King's flag 1802-14 / Voluntarios de Navarra, 7th Bataillon 1813-14 / Regiment Reales Guardias Espanolas, 4th Bataillon 1808-18.

Napoleonic Wars, Skandinavia

1/72-185: Sweden and Denmark, Infantry 1813-1815

Sweden: Lifeguard-Infantry, King's flag / Life-Grenadier-Regiment, Company flag / Corps Grenadiers of the Guard, King's flag / Varmlands Infantry Regiment / Regiment Royal Swedois 1813-14.

Denmark: Danish Infantry Regiments, National flag / Queen's Regiment 1812-13.

Waterloo 1815 - French and Allied Army

1/72-104: French Army 1815 (1)

1st - 6th Lancers of the Line. 1 Standard each and 33 Lance pennons - all pennons suitable for all 6 regiments.

1/72-105: Waterloo 1815 (1)

British Infantry, Allied Troops: King's German Legion Line Bataillons, 1 King's Colour and 1 Bataillon Colour / 1st Foot Guards, Major's Colour / Nassau, 2nd Light Infantry flag.

French Troops, Flags of: 1st Grenadiers of the Guard (Elba-Flag) / Mounted Chasseurs of the Guard / 25th and 28th Line Infantry flags / flags for 5th and 11th Cuirassiers / 1st Lancers of the Line / 2nd Carabiniers.

1/72-106: Waterloo 1815 (2)

British Infantry, Allied Troops: 33rd Foot, King's Colour and Regimental Colour / 14th Foot, King's Colour and Regimental Colour / 2. Foot Guards (Coldstream Guards), Colonel's Colour.

French Troops, Flags of: 105th Line Infantry (flag taken by Life Guards) / 54th Light Infantry / 9th and 11th Cuirassiers.

1/72-107: Waterloo 1815 (3)

British Troops: 42nd Foot (Royal Highland Regiment), King's Colour and Regimental Colour / 3rd Foot Guards: Lieut. Colonel's Colour / 2nd Foot Guards, 2nd Btn 13th Company Colour.

French Troops, 1 flag each for: 2nd and 3rd Cuirassiers / 2nd Carabiniers / mounted Grenadiers of the Guard / 1st Foot Chasseurs of the Guard / 45th Line Infantry (Flag taken by Sergeant Ewatts, Scots Greys).

1/72-108: Waterloo 1815 (4)

British Infantry: 92nd Foot (Gordon Highlanders), King's Colour and Regimental Colour / 4th Foot (King's Own Regiment), King's Colour and Regimental Colour.

French Troops, 1 flag each for: 1st (Polish) Lancers of the Guard / 7th Hussars / 3rd mounted Chasseurs / 4th, 54, 55th Line Infantry.

1/72-109: Waterloo 1815 (5)

British Infantry: 23. Foot, King's Colour and Regimental Colour / 28. Foot, King's Colour and Regimental Colour.

French Troops, 1 flag each for: 3rd, 92nd Line Infantry / 12th Light Infantry / Empress Dragons of the Guard / 1st and 6th mounted Chasseurs.

1/72-110: Waterloo 1815 (6)

British Infantry: 78. Foot, King's Colour and Regimental Colour / 1st Foot (Royal Scots), King's Colour and Regimental Colour / 1st Foot Guards, Regimental Colour. French Troops, 1 flag each for: 93rd and 100th Line Infantry.

1/72-121: Waterloo 1815 (7)

35th Foot (Sussex), King's Colour and Regimental Colour / 3rd (Scots) Foot Guards, Lt. Col.'s Colour, 2nd Btn. / 52nd (Oxfordshire) Light Infantry, King's Colour and Regimental Colour / 2nd Royal North British Dragoons (Scots Greys), second Guidon 1815 / 23rd Light Dragoons, King's Standard 1803-1815.

1/72-122: Waterloo 1815 (8)

2nd Royal North British Dragoons (Scots Greys), King's Colour 1815 / 79th Foot (Cameron Highlanders) King's Colour and Regimental Colour / 40th (Somerset) Foot Regiment King's Colour and Regimental Colour / Royal Horse Guards, Union Standard 1801-1815 / 3rd (Scots) Foot Guards, 11th Company Colour.

1/72-123: Waterloo 1815 (9)

Life Guards. King's Standard 1815 / 1st Foot Guards, 1st Btn (2nd Coy Colour) / 27th Foot (Inniskilling) King's Colour and Regimental Colour / 54th Foot (West Norfolk) King's Colour and Regimental Colour / 10th Light Dragoons (Hussars), 3rd Squadron Guidon 1815.

1/72-124: Waterloo 1815 (10)

King's German Legion Heavy Dragoons 1805-16. King's Standard / 1st Foot Guards, Lt. Col.'s Colour 1st Btn. / 1st King's German Dragoons, 4th Squadron 1805-1815 / 81st Foot, King's Colour and Regimental Colour / 44th Foot (East Essex), King's Colour and Regimental Colour.

1/72-125: Waterloo 1815 (11)

Royal Dragoons, King's Standard, 1801-1815 / 1st Royal Dragoons 2nd Squadron Guidon 1815 / 6th Dragoons, King's Guidon 1801-1815 / 91st Foot King's Colour and Regimental Colour / 59th Foot (2nd Nottinghamshire), King's Colour and Regimental Colour.



1/72-133: Waterloo 1815 (12)

30st Foot (Cambridgeshire) King's Colour and Regimental Colour / 69th Foot (South Lincolnshire) King's Colour and Regimental Colour / 73rd Foot (Highland Regiment) King's Colour and Regimental Colour.

1/72-184: Waterloo 1815 (13) Hanover, Great Britain, France

France: 8th and 29th Infantry of the Line / Hanover: Hoya Field Bataillon / Calenberg Field Bataillon / unnamed Bataillon / Gifhorn Militia Bataillon // Great Britain: 91st Regiment of Foot (Argyllshire Highlanders), King's Colour and Regimental Colour / 32nd Regiment of Foot (Cornwall), King's Colour and Regimental Colour.

Napoleonic Wars, Brunswick

1/72-103 Brunswick Line Infantry Bataillons Nr. 1, 2, 3 and Lancer's pennons 1815

For each Bataillon 1 "Herzogs" Colour and 1 Bataillon Colour. 8 Lance pennons.

Napoleonic Wars, Austria

When new flag patterns were introduced, many units kept their older ones as long as these had not been damaged too much. So during the Napoleonic Wars, flags there were still patterns flown that had been received during the Seven Years War or even earlier!

1/72-87: Austria 1741-1756. Infantry: 1 Life flag, 2 Ordinary flags / Hungarian inf: Life flag and Ordinary flag / Cavalry: 1 Life standard, 2 Ordinary standards.

1/72-88: Austria 1756-1781/92. Infantry: 1756-1781 pattern 1 Life flag, 3 Ordinary flags / Cavalry: 1 Life standard, 3 Ordinary standards.

1/72-89: Austria 1781, 1792, 1804

Infantry: 1 Life flag and 1 Ordinary flags each of 1792 and 1804 pattern / Cavalry: 1 Life standard, 2 Ordinary standards 1792 and 1804.

1/72-90: Austria 1806-1816

Infantry: Life flag 2 variations, 3 Ordinary flags (2 variations) / Cavalry 1806 pattern 3 Life standard, 3 Ordinary standards.

1/72-91: Austria 1806-1816 actually flown samples

Infantry: 1 Life flag and 1 Ordinary flag 1792 pattern / 1 Life flag and 1 Ordinary flag 1806-16 pattern / 1 Life and 1 Ordinary flag 1756-1781 / 1 Ordinary flag 1741-1756 / Cavalry: Ord. standard 1741-1756, Life standard and Ord. standard 1756-1781, Life standard and Ordinary standard 1792, Ord. standard 1807-1816.

Napoleonic Wars, Prussia

1/72-76: Prussian Infantry 1813-1815 Guards and Grenadier-Bataillons (1)

1st East Prussian. Grenadier Bat. until Oct. 14th, 1814 / West Pruss. Grenadier Bataillon until Oct. 14th, 1814 / Silesian Grenadier Bat. until Oct. 14th, 1814 / Life Grenadier Bat. until Oct. 14th, 1814 / 1st Foot Guard Regt., Bat I and II, from June 20th, 1813 on / 2nd Foot Guard Regt., Bat I and II, from June 20th, 1813.

1/72-77: Prussian Infantry 1813-1815 Guards and Grenadier-Bataillons (2), Foot Artillery

Pommeranian Grenadier Batl, until Oct. 14th, 1814 / 2nd East Pruss. Grenadier-Batl. until Oct. 14th, 1814 / Kaiser Alexander Grenadier Guards, Batl. I and II, from Oct. 14th, 1814 on / Foot Artillery of the Guard from 1808 on / Foot Artillery of the Line from 1808 on.

1/72-78: Prussian Infantry 1813-1815 Line Infantry (1)

1 Flag each for Bats. I and II - from Juli 1st, 1813 on:: 1st Line Infantry (1st East Pruss.) / 2nd Line Infantry (1st Pommeranian) / 3rd Line Infantry (2nd East Prussian) / 4th Line Infantry (3rd East Prussian).

1/72-79: Prussian Infantry 1813-1815 Line Infantry (2)

1 Flag each for Bats. I and II - from Juli 1st, 1813 on: 5th Line Infantry (4th East Pruss.) / 6th Line Infantry (1st West Pruss.) / 7th Line Infantry (2nd West Pruss.) / 8th Line Infantry (1st Brandenburg).

1/72-80: Prussian Infantry 1813-1815 Line Infantry (3)

1 Flag each for Bats. I and II - from Juli 1st, 1813 on: 9th Line Infantry (2nd Pommeranian) / 10th Line Infantry (1st Silesian) / 11th Line Infantry (2nd Silesian).

1/72-81: Prussian Infantry 1813-1815 Militia/Reserve-Infantry(1)

10 different Militia and Reserve Infantry Flags. Historical patterns and variations. *Officially, these units were forbidden to carry their flags in the field.*

1/72-53a: Prussian Infantry 1756-1806

1 Life Flag and 1 Regimental Flag each: Line Infantry Nr. 36 (1806 v.Putkamer) / Line Infantry Nr. 34 (1806 Prinz Ferdinand) / Line Infantry Nr. 28 (1806 Malschitzki) / Line Infantry Nr. 35 (1806 Prince Heinrich).

1/72-182: Prussian Cavalry 1743-1807 Per Regiment 1 Standard each, if not otherwise stated:

Guards Cavalry: Regiment Gardes du Corps 1798-1815, Life Standard, Regimental Standard. *Line Cuirassiers:* Regt. Nr. 1, 1753-1806 / Regt. Nr. 2, 1753-1806 / Regt. 4, 1753-1807 / Regt. Nr. 5 / Regt. Nr. 7, 1753-1806 / Regt. Nr. 8, 1753-1806 / Regt. Nr. 12, 1753-1807 Life Standard, Regimental Standard. *Line Dragoons:* Regt. Nr. 1, 1753-1806 / Regt. Nr. 2, 1753-1806 / Queen's Regiment Nr. 5, 1753-1807 / Regt. Nr. 9, 1753-1806 / Regt. Nr. 11, 1753-1806. *Line Hussars:* Regt. Nr. 1 / Regt. Nr. 2 / Regt. Nr. 3 / Regt. Nr. 4 / Regt. Nr. 5 / Regt. Nr. 5 / Regt. Nr. 6.

1/72-183: Prussian Cavalry 1808-1815 Per Regiment 1 Standard each, if not otherwise stated:

Guards Cavalry: Regiment Garde du Corps (until 1813 = "3rd Cuirassiers"), 1807-1815 and 1807-1813 one each / Light Guard Cavalry Regt. from Dev. 1814 / Life Guard Hussars from Feb. 24th, 1815 / Dragoons of the Guard, from Feb. 24th, 1815.

Cuirassiers of the Line: Brandenburg Regt. (1808-1813 Nr. 4) from 1813-1815 on Nr. 3 / Silesian Nr. 1, 1808-15 / East Prussian Nr. 2, 1808-1815. *Lancers of the Line:* West Prussian Nr. 1, from Okt. 1814 on, + 2 Lance pennons. *Line Dragoons:* Queen's Dragoons Nr. 1, 1807-1815 / 1st West Prussian Nr. 2, 1807-1815 / Lithuanian Nr. 3, 1807-1815 / 2nd West Prussian Nr. 4, 1807-April 1815 / 2nd West Prussian Nr. 4, from April 1815 / 2nd West Prussian, from April 1815 - alternate pattern / Brandenburgian Nr. 5, 1807-1815 / Newmarket Nr. 6, 1807-1815. *Line Hussars:* Nr. 8, Okt. 1814-1815 / Pommeranian Nr. 5, Okt. 1814-1815.

1/72-63: Prussian Lancers 1800-1815 (3). Squadron of Lifeguard Lancers/Lancers of the Guard 1809-15, 3rd Lancers 1808-1815

19 pennons for Lancers of the Guard, 32 pennons for 3rd Lancers.

1/72-64: Prussian Lancers 1800-1815 (4). 1st West Prussian and 2nd (Silesian) Lancers 1808-1815

18 pennons for 1st (West Prussian) Lancers, 20 pennons for 2nd (Silesian) Lancers.

1/72-65: Prussian Lancers 1800-1815 (5). Regular pattern for all Lancer Regiments from March 13th, 1815 on. 38 pennons.

1/72-66: Prussian Lancers 1800-1815 (6). Lance pennons. Lützw Freikorps, Hellwig Freikorps, Hanseatic Legion, march 1813 - march 1815

Lützw Freikorps: 14 pennons / Hanseatic Legion 11 pennons / Hellwig Freikorps 15 pennons.

1/72-67: Prussian Lancers 1800-1815 (7). 4th Lancers from March 1815 on. 20 pennons for 1st Squadron, 20 pennons for 2nd Squadron.

1/72-68: Prussian Lancers 1800-1815 (8). 5th Lancers from March 1815 on. 20 pennons for 1st Squadron, 20 pennons for 2nd Squadron.

1/72-69: Prussian Lancers 1800-1815 (9). 6th Lancers from March 1815 on. 23 pennons for 1st, 2nd and 3rd Squadron, 17 pennons for 4th Squadron.

1/72-70 Prussian Lancers 1800-1815 (10). 7th and 8th Lancers from March 1815 on

20 pennons for 1st Squadron 7th Lancers, 18 pennons for 4th Squadrons of 7th and 8th Lancers.



*1/72 HÄT Russian Infantry 1805.
Figures converted to ensigns by Rolf Fuhrmann,
painted by Thomas Willers.*

- 1/72-71: Prussian Lancers 1800-1815 (11). Lance pennons. East Prussian National Cavalry 1813-15.** 12 pennons each for squadron Nr. 1, 2, 3, 4.
1/72-72: Prussian Lancers 1800-1815 (12). Lance pennons. Silesian Militia Cavalry and Silesian Freiwillige Jäger march 1813 - march 1815
 Militia Cavalry: 9 pennons each for squadron Nr. 1, 2, 3 / Freiwillige Jäger: 1st squadron 6 pennons, 2nd squadron 6 pennons, 3rd squadron 2 pennons.
1/72-73: Prussian Lancers 1800-1815 (13). Lance pennons. East Prussian, West Prussian and Brandenburg Militia Cavalry march 1813 - march 1815
 East Prussian and Brandenburg Militia: pennons, West Prussian: 20 pennons.
1/72-74: Prussian Lancers 1800-1815 (14). Lance pennons. Pomm., Newmarket, Churmarket Militia Cavalry, march 1813 - march 1815
 35 pennons suiting all above mentioned units. 6 pennons for 5th Squadr. Churmarket Militia.
1/72-75: Prussian Lancers 1800-1815 (15). Lance pennons. Rhenian, Elbian, Westfalian Militia Cavalry, march 1813 - march 1815
 14 pennons for each of above mentioned units.

The Russian Army 1797-1813

This series has been developed by friendly support of Alfred Umhey and Gunter Janoschke!

- 1/72-30a: Russian Army 1797-1813. Borodino 1812 (1)**
 Life-Cuirassiers of the Tsar, 1 "white" and 2 coloured standards 1797-13 / Life Cuirassiers of the Tsarevna, 1 "white" and 2 coloured standards 1797-1813 / Chevalierguard, Vexillum 1800-15, 2x / 1 "white" and 1 coloured flag each: Preobraschenski Lifeguard Infantry Regt. 1800-13 / Ismailovski Lifeguard Infantry Regt. 1800-13 / Semjonovski Lifeguard Infantry Regt., 1800-13 / Lifeguard-Cossacks, 1799-1813.
1/72-32a: Russian Army 1797-1813. Borodino 1812 (2)
 1 "white" and 1 coloured flag each: Tarnopolski Infantry Regt., 1811-13 / Odesski Infantry Regt., 1810-13 / Simbirski Infantry Regt. 1811-13 / 1 "white" and 2 coloured standards each: Tschernigowski Dragoons, 1806-13 / Gluchovsk Cuirassiers, 1797-1813.
1/72-34a: Russian Army 1797-1813. Borodino 1812 (3)
 1 "white" and 1 coloured flag each: Kievski Grenadier-Regiment., 1806-13 / Moskovski Grenadier Regt., 1804-13 / Narvski Infantry Regt., 1810-12 / 1 "white" and 2 coloured standards each: Psovski Dragoons., 1797-1812 / Smolenski Dragoons, 1798-1813.
1/72-35a: Russian Army 1797-1813. Borodino 1812 (4)
 Malorossiski (Little Russian) Grenadier-Regt. 1 "white" and 1 coloured flag 1799-1813 / Kargopolski Dragoons. 1 "white" and 2 coloured standards 1797-1813./ Astrachanski Grenadier-Regt. 1 "white" and 1 coloured flag 1798-1813./ Malorossiski (Small Russia) Cuirassiers. 1 "white" and 2 coloured standards 1797-1813 / Jekaterinoslavski Cuirassiers 1 "white" and 2 coloured standards 1797-1813 / Ufimski Infantry Regt. 1 "white" and 1 coloured flag from 1798 on.
1/72-36a: Russian Army 1797-1813. Borodino 1812 (5)
 Lithuanian Lancers, 5 Lance pennons 1808-13 / Polish Lancers, 1 "white" and 1 coloured standard 1798-1813, 6 Lance pennons 1808-1813 / Don Cossacks, standard 1811, 1813 / 1 "white" and 1 coloured flag each: Alexopolski Infantry Regt., 1797-1813 / Novoingermanlandski (New-Ingermanland) Infantry Regt., 1798-1813 / Astrachanski Cuirassiers, 1 "white" and 2 coloured standards 1803-1813.
1/72-38a: Russian Army 1797-1813. Borodino 1812 (6)
 Bug Army Cossack-Division, 1st Regt. White standard 1804-13 / 1 "white" and 1 coloured flag each: Tobolski Infantry Regt., 1798-1812 / Pernovski Infantry Regt., 1809-13 / Wolynski (Wolhynian) Infantry Regt., 1803-13 / 1 "white" and 2 coloured standards each: Orenburski Dragoons, 1797-1812 / Sibirsk Dragoons, 1797-1812.
1/72-40a: Russian Army 1797-1813. Borodino 1812 (7)
 Bug Army Cossack-Division, 2nd Regt. White standard 1804-13 / Don Cossacks, flag 1803 / 1 "white" and 1 coloured flag each: Orlovski Infantry Regt. 1800-1813 / Poltavski Infantry Regt. 1799-1813 / Fanagorski Grenadier-Regt. 1806-13 / 1 "white" and 2 coloured standards each: Black Sea Cossacks, 1803-1813 / Moskovski Dragoons 1798-1813.
1/72-41a: Russian Army 1797-1813 (8)
 1 "white" and 1 coloured flag each: St.Peterburgski Grenadier-Regt., 1797-1813 / Jekaterinoslavski Grenadier-Regt., 1799-1813 / Count Araktshejev Grenadier-Regt. 1811/12 / 1 "white" and 2 coloured standards each: Jamburgski Cuirassiers, 1797-1812 / Severski Dragoons, 1798-1812.
1/72-42a: Russian Army 1797-1813 (9)
 1 "white" and 1 coloured flag each: Grusinski Grenadier Regt.: Borodino 1812, Leipzig 1813 / Schlisselburgski Infantry Regt., 1808-13 / Pavlovski Grenadier-Regt., 1797-1812 / 1 "white" and 2 coloured standards each: Pavlogradski Hussars, 1806-13 / Tiraspolski Dragoons, 1 "white" and 2 coloured standards 1803 pattern / Narvski Dragoons, from 1799 on / Riazzanski Cuirassiers, 1797 pattern.
1/72-45a: Russian Army 1797-1813 (12)
 1 "white" and 1 coloured flag each: Permski Infantry Regt., 1810-13 / Asovski Infantry Regt., 1810-13 / Litovski (Lithuanian) Infantry Regt., 1811-13 / Sibirski Grenadier-Regt., from 1798 on / 1 "white" and 2 coloured standard each: Perejaslavski Dragoons, 1803-13 / Nejinski Cuirassiers, 1797 pattern.
1/72-47a: Russian Army 1797-1813 (13)
 1 "white" and 1 coloured flag each: Vilenski (Vilna) Infantry Regt., 1811-13 / Bjeloserski Infantry Regt., 1808-13 / Koporski Infantry Regt., 1803-13 / 1 "white" and 2 coloured standards each: Starodubski Dragoons, 1810-13 / Tschernigovski Cuirassiers, 1797-1812 / Borisoglebski Dragoons, 1805-13 / Sofiski Cuirassiers, 1797 pattern.



1/72 Figures Napoleonic wars.

Above left: ZVEZDA Russian Guard Infantry 1812, above right: HAT Nassau Infantry 1815.

Below: WATERLOO1815 Polish Infantry 1812-14,

Below right: ZVEZDA Saxon Cuirassier 1812,

Far below left: ART MINIATUREN ZINNFIGUREN: Prussian Dragoon 1813-15.

Figures painted by Thomas Willers.





Far left: US Civil War Flags of the Irish Brigade with 1:72nd scale plastic figures (IMEX and ITALERI).

Left: US Cavalry Company Guidon with 1:72nd scale plastic ITALERI cavalryman.

1/72-48a: Russian Army 1797-1813 (14)

1 "white" and 1 coloured flag each: Narvski Infantry Regt., 1810-13 / Fanagorski Grenadier-Regt., up to 1806 / Wologodski Infantry Regt., 1803-13 / 1 "white" and 1 coloured standard each: Starodubski Cuirassiers, 1797 pattern / 1st Cossack-Regt. Tchougouiev, 1798-1807 / Kievski Cuirassiers, 1797-1813 / Neplouieva Cuirassiers, 1797 pattern / Kanzanski Cuirassiers, 1 "white" and 2 coloured standards 1797-1813.

1/72-49a: Russian Army 1797-1813 (10)

1 "white" and 1 coloured flag each: Lifeguard-Infantry Regt. Litovski, from 13.04.1813 on / Lifeguard-Infantry Regt. Semjonovski, from Aug. 26th, 1813 on / Lifeguard-Grenadier-Regt., from April 13th, 1813 on / Lifeguard-Infantry Regt. Finlandski, from April 13th, 1813 on / 1 "white" and 2 coloured standards each: Nishegorodski Dragoons, from 1799 on / Novorossiski (New Russian) Cuirassiers, 1803-13.

1/72-50a: Russian Army 1797-1813 (11)

1 "white" and 1 coloured flag each: Lifeguard-Infantry Regt. Preobrashenski, from Aug. 26th, 1813 on / Lifeguard-Infantry Regt. Ismailovski, from April 13th, 1813 on / Lifeguard-Infantry Regt. Jeguerski, from April 13th, 1813 on / Grusinski (Grusinian) Grenadier-Regt., from 1813 on / 1 "white" and 2 coloured standards each: Jitomirski Dragoons, 1812-13/ Tschernigovski Cuirassiers, 1803-12.

Napoleonic Wars, Poland / Bavaria / Saxony

1/72-52a: Napoleonic Wars. Duchy of Warsaw, Vistula Legion, Saxon Cuirassiers

Duchy of Warsaw 1807-1814: 1 Flag each of Line Infantry Regiments: Nr.14, Nr.1 (Russian campaign 1812), Nr.1(after 1812), Nr.4, Nr.8, Nr.6, Nr.2 / 1 Flag each: Lancers of the Line Nr. 15, mounted Chasseurs Nr. 1 / 4 Lance pennons for all polish Lancer Regiments except Nrs. 2, 3, 16 / 4 Lance pennons for 2nd, 3rd and 16th Lancers / France, Vistula Legion 1812/13. 2nd Line Infantry flag / Saxony 1811/12 (Russian campaign): Zastrow-Cuirassiers, Life Cuirassiers. 1 standard each.

1/72-51a: Napoleonic Wars. Bavarian Line-Infantry 1800-1815

Life flag, 1800 pattern / Ordinary flag, 1801 pattern / Life flag, 1808 pattern / 2 Ordinary flags, 1808 pattern / Ordinary flag, 1801 pattern variation.

Until and during the Russia campaign the regiments flew some flag patterns handed out before 1808. From 1813 on mainly the 1808 pattern was in use.

US Civil War 1861-1865

1/72-111: US Army 1861/62. Regular Flags for Infantry, Cavalry, Artillery

Cavalry-Regimental standard / National Flag N.Y. Depot pattern for Infantry and Heavy Artillery / 2 Marker Flags Infantry / Infantry Rgt. Flag 1848 pattern / Regt. Flag Heavy Artillery up to 1863 / 3 Cavalry & Field Artillery Squad./Battery-Guidons up to Jan. 1862) / 2 Battery Guidon variations.

1/72-112: US Army 1862/65. Regular Flags for Infantry, Cavalry, Artillery

Cavalry-Regimental standard / Phil. Depot pattern for Infantry and Heavy Artillery / 2 Marker-Flags Infantry / Infantry Rgt. Flag 1861 pattern / Rgt. Flag Heavy Artillery 1863 pattern / 3 Cavalry & Field Artillery Squad./ Battery-Guidons Februar 1862 pattern / 2 Battery Guidon variations.

1/72-13: US Infantry 1861-65. Regimental and National Flags (1)

3 National Flags Phil. Depot 34 Star Pattern / 3 Regimental Flags. 2x 1861 pattern, 1x 1848 pattern / 6 Marker Flags.

1/72-14: US Infantry 1861-65. Regimental and National Flags (2)

3 National Flags. 1 Cincinnati Depot 34 Star, 2 New York Depot / 2 Regimental Flags (1848 & 1861 made) / 6 Marker Flags, different Variations.

1/72-15: US and CS Troops 1861-1865. Hospital Flags, Ambulance Guidons, Signal Flags

US : 2 Hospital Flags from 1864 on / 3 Ambulance Guidons 1865 / 1 Field Hospital Flag from 1862 on / CS: 2 Hospital Flags / US & CS: Signal Flags, 8 different.

1/72-16: CS Infantry 1861-65. Battle Flags (National Flags)

1st National Flag from Dec. 10th 1861 (Stars and Bars): 4 Variations / The Bonnie Blue Flag: 3 Variations / 2nd National Flag (The Stainless Banner 1): 4 Versions / 3rd National Flag (The Stainless Banner, 2nd Version): 2 Variations / 2 small Variations of Southern Cross Motiv.

1/72-17: CS Infantry 1861-65. Battle Flags (Corps Flags 1)

Army of Northern Virginia Battle Flag 1861, 3 Variations / Army of Northern Virginia Battle Flag Mai-Nov. 1864 / Army of Northern Virginia Battle Flag "First bunting issue", Juli 1862-Mai 1864 / South Carolina, Georgia and Florida Infanterie Battle Flag Sept. 1862 pattern / Texas, Arkansas, West Louisiana, Arizona and Missouri Inf. battle Flag: 6 Versions / Alabama, Mississippi und East Louisiana Inf. Battle Flag 1864/65 / Army of Tennessee Battle Flag 1864.

1/72-18: US and CS Infantry 1861-65. Regimental Flags / Battle Flags

2 US Nat. Flags (N.Y., Phil. Depot patterns) / 2 Regt. Flags (M 1848 und M 1861) / CSA: Army of Tennessee Battle Flag 1864 / Alabama, Miss. and East Louisiana Inf. Battle Flag 1864/65, with 2 Marker Flags / Army of Northern Virginia Battle Flag "Third bunting issue" July 1862-May 1864 / 1st Nat. Flag / Bonnie Blue Flag.

1/72-19: US Infantry 1861-65. Regimental and National Flags (3)

US : 4 National Flags (Cinc. Depot pattern, N.Y. Depot pattern, Phil. Depot pattern / N.Y. Depot pattern, 2nd Minn. Inf. / 2 Regimental Flags (M 1848 und M1861).

1/72-20: US and CS Troops 1861-65 National Flags for Buildings. *Large Size! May be used as 54mm Flags for Timpo or Britains figures!*

US National Flag / CSA 1st National / CSA 2nd National / CSA 3rd National.

1/72-21: CS Infantry 1861-65. Battle Flags (Corps Flags 2)

South Carolina, Georgia und Florida Inf. Battle Flag from Sept. 1862 on / Bragg's Corps Battle Flag 1st Pattern / Bragg's Corps Battle Flag 2nd Pattern / Dept. of East Tennessee Battle Flag, 3 Variations / Gen. Polk's Corps Battle Flag, Army of Tennessee from April 1862 on / General van Dorn's Corp Battle Flag, 2 Versions



/ Hardee's Corps Battle Flag, Army of Tennessee, from Sept. 1861 on, 3 Versions / 6 different Marker Flags.

1/72-28: US Cavalry 1861-1862. Standard and Guidons

Regimental standard / US National standard / Guidons for A- to M-Companies.

1/72-31: US Cavalry 1861-65 Headquarter Flags, Potomac-Army, April 30th, 1862-August 1st, 1864

Sheridans Flag, Headquarter Flags of 1st, 2nd, 3rd Cavalry Divisions (1 each) / Custer's Flag / Headquarter of Cavalry Reserve / Cavalry Reserve of 1st and 2nd Brigade / Company-Guidon, Massachusetts-Cavalry / Company-Guidon US Cavalry 1862 pattern / 1 Regimental standard US Cavalry / Company-Guidon Massachusetts-Cavalry from Jan. 18th, 1862.

1/72-33: US and CS Cavalry 1861-65. Mixed (1)

US: Regimental Standard / National Standard, non-regular / Company-Guidon E-Company up to 1862 / Company-Guidon 1862 pattern / CS Army, Virginia Cavalry version / CS Army. Kentucky Cav. Guidon / Dobbin's 1st Arkansas Cav. 1863/64 (CS Army) / CS Army: South Carolina, Georgia u. Florida Cav. from Sept. 1862 on / CS Army, Gen. Polk's Corps Cavalry Battleflag / Gen. Parson's Texas-Cav.-Brigade Battleflag. CS Army / CS Army, Kentucky Cav. Version.

1/72-37: US and CS Cavalry 1861-65. Mixed (2)

US: Regimental Standard / National Standard, non-regular / Company-Guidon C-Company up to 1862 / Company-Guidon 1862 pattern / Army of Northern Virginia Battleflag Nov. 1861 / South Carolina Cav. Version 1860-61 / Battle Flag Version Arkansas-Cav. / March 1864 pattern CS Army Battleflag / CS Army, 1st National Battleflag, from Dec.10th, 1861 / North Carolina State Flag Standard / CS Army, 2nd National Standard from May 1st, 1863 on / CSA, 1st National Battleflag from Dec. 10th, 1861 on / Texas-Cavalry "Terry's Texas Rangers" / CS Army of Tennessee Cavalry Battle Flag 1864.

1/72-39: CS Artillery 1861-1865

5th Comp. Washington-Artillery of New Orleans 1863 / 5th Comp. Washington-Artillery of New Orleans up to Oct. 1862 / Walter's Alabama Battery / North Carolina Art., Guidon / Artillery Guidon 1st National Flag pattern / South Carolina Marion Artillery / Comp. Battle Flag 106th N.C. Vol. Artillery / Battle Flag from March 1864 on / Shea Vernon's Texas Battery / Army of Northern VA. Comp. Battle Flag / Washington Artillery Comp. Guidon / 1st National Battle Flag.

1/72-43a: Michigan Regiments 1861-1865

Regimental Flag 1st Michigan Infantry / Regimental Flag, Michigan Infantry / 2 National Flags / Standard, Michigan-Cavalry / Company Guidon, Michigan-Cavalry 1861-62 / Company Guidon, Michigan-Cavalry 1862-65.

1/72-44a: US/CS Volunteers 1861-65 (1)

Regimental Flag Pennsylvania Infantry / National Flag Pennsylvania-Infantry / Standard, Pennsylvania-Kavallerie / Pennsylvania-Cavalry, Company Guidon 1861-62 / Cavalry Company Guidon 1862-65 / Pennsylvania-Infantry 2 Marker Flags / Battle Flag 1st Regt. Missouri-Cavalry / Bonnie Blue Flag / Texas Cavalry and - Infantry Battle Flag / 1st Virginia Cavalry Battle Flag.

1/72-46: US/CS Volunteers 1861-65 (2)

2 flags each: Texas troops / Virginia / Louisiana from Feb. 11th 1861 / Florida Jan. 13th-Sept. 13th 1861.

1/72-58: US/CS Volunteers 1861-65 (3)

2 Variations each: North Carolina from June 22nd,1861 on / Mississippi from Jan. 26th 1861on / Kentucky, Variation of 1st Nat. Battle Flag from July 2nd 1861 on and from Dec. 10th 1861on / South Carolina from Jan. 28th, 1861on / 1st Regt. South Carolina Rifles Okt.4th,1861.

1/72-61: US Civil War 1861-1865. Mixed (1)

28th Massachusetts Infantry (4th Regiment Irish Brigade): National Flag, Regimental Flag / 54th Massachusetts (Coloured Infantry), flown at the attack at Fort Wagner, South Carolina 1863: National Flag, Regimental Flag / 69th New York Volunteer Infantry (1st Regiment Irish Brigade), Honour Colours Nov. 1862: National Flag, Regimental Flag / Headquarters Flag 2nd Corps, Army of the Potomac, 1864-65.

1/72-62: US Civil War 1861-1865. Mixed (2)

69th New York Volunteer Infantry (1st Regiment Irish Brigade): National Flag, Regimental Flag / 5th New York Vol. Infantry (Duryee Zuaven): National Flag, Regimental Flag / Division Headquarters Flag 1st Corps, 3rd Division, Army of the Potomac, 1864-65.

US Indian Wars

1/72-27: Battle at Little Big Horn 1876: 7th US Cavalry. Regimental Standard, Custers personal Flag, 12 Guidons Companies A-M .

* * *

20th century and modern Armies

Second World War 1939-1945

1/72-209: World War II Pacific Theatre 1941-45. Army National flags /Warflags for camp, checkpoint or vehicles etc.

Japan: 2 large flags, 9 small sized flags / USA: 2 large flags, 7 small sized flags / Australia: 1 large flag, 2 small sized flags / Ambulance troops: 1 large flag and 1 small sized flags bearing red cross.



After 1945

1/72-210: Vietnam War 1964-1973. Army National flags/Warflags for camp, checkpoint or vehicles etc.

USA: 2 large flags and 3 small sized flags / South Vietnam: 1 large flag und 5 small sized flags / Vietcong: 1 large flag and 4 small sized flags / North Vietnam: 1 large flag and 4 small sized flags / Ambulance troops: 1 large flag and 1 small sized flag bearing red cross.

1/72-213: Israel-Arab wars 1967, 1973. Army National flags/Warflags for camp, checkpoint or vehicles etc.

Egypt and Syria from 1972 on: 2 large flags, 3 small sized flags / Syria 1963-1972: 2 large flags und 4 small sized flags / Jordane: 1 large flag und 3 small sized flags / Ambulance troops: Red cross and red half moon: 1 large flag each.

1/72-100: The Persian Gulf Wars 1991, 2003. US and Iraq. Army National flags/Warflags for camp, checkpoint or vehicles etc.

US Army: 2 large flags, 8 small sized flags / Iraqi army: 2 large flags, 8 small sized flags / Ambulance troops - red cross and red half moon: 2 small sized flags each and 1 large flag each.

1/72-212: Yugoslavia Conflict 1991-95, 1998-99. Army National flags/Warflags for camp, checkpoint or vehicles etc.

Yugoslavia: 1 large flag und 5 small sized flags / Croatia: 2 large flags and 4 small sized flags (2 different) / Bosnia: 1 large flag and 4 small sized flags / Serbia: 2 large flags and 4 small sized flags (2 different).

1/72-211: Modern Armies, National Flags and War Flags I, USA, Great Britain, France. Army National flags/Warflags for camp, checkpoint or vehicles etc.

USA: 1 large flag und 8 small sized flags / British Armeec: 1 large flag und 10 small sized flags, with 4 small flags for scottish Troops / France: 1 large flag und 3 small sized flags / Ambulance troops: 4 small sized flags and 1 large flag / German Bundeswehr: 1 large flag.



ROFUR-FLAGS Register 1:72nd, 28mm, 54mm Listed according to Sheet Numbers

1:72nd (20mm)

- 1/72-01: Fourth Crusade 1198-1205. Franconian army. 13 banners of the leading kings, other rulers and knights
- 1/72-02: Third Crusade 1189-1191. Banners of Leaders
- 1/72-03: Fifth to Seventh Crusades 1217-1254 Banners of Leaders
- 1/72-04: English Civil War Infantry 1642 -1651 (1)
- 1/72-05: English Civil War Infantry 1642 -1651 (2)
- 1/72-06: English Civil War Infantry 1642 -1651 (3)
- 1/72-07: English Civil War Infantry 1642 -1651 (4)
- 1/72-08: American Revolution 1775-1783 (1). Patriots and Continental Army 1
- 1/72-09: American Revolution 1775-1783 (2). Patriots and Continental Army 2
- 1/72-10: American Revolution 1775-1783 (3). British Infantry 1
- 1/72-11: American Revolution 1775-1783 (4). British Infantry 2.
- 1/72-12: American Revolution 1775-1783 (5). British Infantry 3.
- 1/72-13: US Infantry 1861-65. Regimental and National Flags (1)
- 1/72-14: US Infantry 1861-65. Regimental and National Flags (2)
- 1/72-15: US and CS Troops 1861-1865. Hospital Flags, Ambulance Guidons, Signal Flags
- 1/72-16: CS Infantry 1861-65. Battle Flags (National Flags)
- 1/72-17: CS Infantry 1861-65. Battle Flags (Corps Flags 1)
- 1/72-18: US and CS Infantry 1861-65. Regimental Flags / Battle Flags
- 1/72-19: US Infantry 1861-65. Regimental and National Flags (3)
- 1/72-20: US and CS Troops 1861-65 National Flags for Buildings
- 1/72-21: CS Infantry 1861-65. Battle Flags (Corps Flags 2)
- 1/72-22: France 1809-15. Lance pennons (1) Imperial Guard
- 1/72-23: France 1809-15. Lance pennons (2) Lancers of the Line
- 1/72-24: Scottish Jacobite Rebellion 1715/16 und 1745/46. Jacobite army (1)
- 1/72-25: Scottish Jacobite Rebellion 1715/16 und 1745/46. Jacobite army (2)
- 1/72-26: Scottish Jacobite Rebellion 1715/16 und 1745/46. Jacobite army (3)
- 1/72-27: Battle at Little Big Horn 1876: 7th US Cavalry
- 1/72-28: US Cavalry 1861-1862. Standard and Guidons
- 1/72-29: Scottish Jacobite Rebellion 1715/16 und 1745/46. Jacobite army (4)
- 1/72-30a: Russian Army 1797-1813. Borodino 1812 (1)
- 1/72-31: US Cavalry 1861-65 Headquarter Flags, Potomac-Army, April 30th, 1862-August 1st, 1864
- 1/72-32a: Russian Army 1797-1813. Borodino 1812 (2)
- 1/72-33: US and CS Cavalry 1861-65. Mixed (1)
- 1/72-34a: Russian Army 1797-1813. Borodino 1812 (3)
- 1/72-35a: Russian Army 1797-1813. Borodino 1812 (4)
- 1/72-36a: Russian Army 1797-1813. Borodino 1812 (5)
- 1/72-37: US and CS Cavalry 1861-65. Mixed (2)
- 1/72-38a: Russian Army 1797-1813. Borodino 1812 (6)
- 1/72-39: CS Artillery 1861-1865
- 1/72-40a: Russian Army 1797-1813. Borodino 1812 (7)
- 1/72-41a: Russian Army 1797-1813 (8)
- 1/72-42a: Russian Army 1797-1813 (9)
- 1/72-43a: Michigan Regiments 1861-1865
- 1/72-44a: US/CS Volunteers 1861-65 (1)
- 1/72-45a: Russian Army 1797-1813 (12)
- 1/72-46: US/CS Volunteers 1861-65 (2)
- 1/72-47a: Russian Army 1797-1813 (13)
- 1/72-48a: Russian Army 1797-1813 (14)
- 1/72-49a: Russian Army 1797-1813 (10)



- 1/72-50a: Russian Army 1797-1813 (11)
- 1/72-51a: Napoleonic Wars. Bavarian Line-Infantry 1800-1815
- 1/72-52a: Napoleonic Wars. Duchy of Warsaw, Vistula Legion, Saxon Cuirassiers
- 1/72-53a Prussian infantry 1756-1806
- 1/72-54a: Banners with saints 12th-15th century
- 1/72-55a: Swiss Cantons and Burgundy 1476/77
- 1/72-56a: Russia. Streltsi ca. 1700. **Released August 2008**
- 1/72-57a: Schwiss Cantons ca. 1476 -1530 (1)
- 1/72-58: US/CS Volunteers 1861-65 (3)
- 1/72-59a: Polish Winged Hussars, 2nd half of 17th Cent., I. **Released August 2008**
- 1/72-60a: Polish Winged Hussars, 2nd half of 17th Cent.,II. **Released August 2008**
- 1/72-61: US Civil War 1861-1865. Mixed (1)
- 1/72-62: US Civil War 1861-1865. Mixed (2)
- 1/72-63: Prussian Lancers 1800-1815 (3). Lifeguard Lancers/Lancers of the Guard 1809-15, 3rd Lancers 1808-1815
- 1/72-64: Prussian Lancers 1800-1815 (4). 1st West Prussian and 2nd (Silesian) Lancers 1808-1815
- 1/72-65: Prussian Lancers 1800-1815 (5). Regular pattern for all Lancer Regiments from March 13th, 1815 on
- 1/72-66: Prussian Lancers 1800-1815 (6). Lance pennons. Lützow Freikorps, Hellwig Freikorps, Hanseatic Legion
- 1/72-67: Prussian Lancers 1800-1815 (7). 4th Lancers from March 1815 on
- 1/72-68: Prussian Lancers 1800-1815 (8). 5th Lancers from March 1815 on
- 1/72-69: Prussian Lancers 1800-1815 (9). 6th Lancers from March 1815 on
- 1/72-70: Prussian Lancers 1800-1815 (10). 7th and 8th Lancers from March 1815 on
- 1/72-71: Prussian Lancers 1800-1815 (11). Lance pennons. East Prussian National Cavalry 1813-15
- 1/72-72: Prussian Lancers 1800-1815 (12). Lance pennons. Silesian Militia Cavalry, Silesian Freiwillige Jäger
- 1/72-73: Prussian Lancers 1800-1815 (13). Lance pennons. East Prussian, West Prussian, Brandenburg Militia Cavalry
- 1/72-74: Prussian Lancers 1800-1815 (14). Lance pennons. Pomm., Newmarket, Churmarket Militia Cavalry.
- 1/72-75: Prussian Lancers 1800-1815 (15). Lance pennons. Rhenian, Elbian, Westfalian Militia Cavalry
- 1/72-76: Prussian Infantry 1813-1815 Guards and Grenadier-Bataillons (1)
- 1/72-77: Prussian Infantry 1813-1815 Guards and Grenadier-Bataillons (2), Foot Artillery
- 1/72-78: Prussian Infantry 1813-1815 Line Infantry (1)
- 1/72-79: Prussian Infantry 1813-1815 Line Infantry (2)
- 1/72-80: Prussian Infantry 1813-1815 Line Infantry (3)
- 1/72-81: Prussian Infantry 1813-1815 Militia/Reserve-Infantry(1)
- 1/72-82: Prussian Infantry 1753-1786 (1). Regt. Nr. 1-3
- 1/72-83: Prussian Infantry 1753-1786 (2). Regt. Nr. 4-6
- 1/72-84: Prussian Infantry 1753-1786 (3). Regt. Nr. 7-9
- 1/72-85: Prussian Infantry 1753-1786 (4). Regt. Nr. 10-12.
- 1/72-86: Prussian Infantry 1753-1786 (5). Regt. Nr. 13-15
- 1/72-87: Austria 1741-1756. Infantry and Cavalry.
- 1/72-88: Austria 1756-1781/92. Infantry and Cavalry
- 1/72-89: Austria 1781, 1792, 1804. Infantry and Cavalry
- 1/72-90: Austria 1806-1816. Infantry and Cavalry
- 1/72-91: Austria 1806-1816. Infantry and Cavalry, actually flown samples
- 1/72-92: Hundred Years War. Agincourt, Oct. 25th, 1415. English army (1).
- 1/72-93: Hundred Years War. Agincourt, Oct. 25th, 1415. English army (2)
- 1/72-94: Hundred Years War. Agincourt, Oct. 25th, 1415. French army (1)
- 1/72-95: Hundred Years War. Agincourt, Oct. 25th, 1415. French army (2)
- 1/72-96: Hundred Years War. Poitiers, Sept. 19th, 1356. French army (1)
- 1/72-97: Hundred Years War. English and French armies. Mixed (1)
- 1/72-98: Hundred Years War. Crécy, August 26th, 1346. English army (1)
- 1/72-99: Hundred Years War. Crécy, August 26th, 1346. English and French armies. Mixed
- 1/72-100: The Persian Gulf Wars 1991, 2003. US and Iraq. **Released August 2008**
- 1/72-101: Hundred Years War. France, Johanna of Orleans
- 1/72-102: Saracen standards, about 1100/1250
- 1/72-103: Brunswick Line Infantry Bataillons Nr. 1, 2, 3 and Lancer's pennons 1815
- 1/72-104: French Army 1815 (1)
- 1/72-105: Waterloo 1815 (1)
- 1/72-106: Waterloo 1815 (2)
- 1/72-107: Waterloo 1815 (3)
- 1/72-108: Waterloo 1815 (4)
- 1/72-109: Waterloo 1815 (5)
- 1/72-110: Waterloo 1815 (6)
- 1/72-111: US Army 1861/62. Regular Flags for Infantry, Cavalry, Artillery
- 1/72-112: US Army 1862/65. Regular Flags for Infantry, Cavalry, Artillery
- 1/72-113: Teutonic Order 12th/14thcenturies and Order of Sword Brethren 1202-ca.1240.
- 1/72-114: Order of the Temple 1120-1307. Order of the Hospital 12th-14th cent.
- 1/72-115: France, Great Army 1812 (1)
- 1/72-116: France, Great Army 1812 (2)
- 1/72-117: France, Geat Army 1812 (3)
- 1/72-118: France 1804-1814 (1)
- 1/72-119: France 1804-1814 (2)
- 1/72-120: France 1804-1814 (3)
- 1/72-121 Waterloo 1815 (7)
- 1/72-122 Waterloo 1815 (8)
- 1/72-123 Waterloo 1815 (9)
- 1/72-124 Waterloo 1815 (10)
- 1/72-125 Waterloo 1815 (11)
- 1/72-126: France, Great Army 1812 (4)
- 1/72-127: France 1812-1814 (1)





- 1/72-128: France, Great Army 1812 (5)
- 1/72-129: France 1804-1815 (1)
- 1/72-130: France 1804-1815 (2)
- 1/72-131: France 1812-1814 (2)
- 1/72-132: France 1804-1815 (3)
- 1/72-133 Waterloo 1815 (12)
- 1/72-134: American Revolution 1775-1783 (6). French Infantry (1)
- 1/72-135: American Revolution 1775-1783 (7). French Infantry (2)
- 1/72-136: Scottish Jacobite Rebellion 1745/46. British Infantry (1)
- 1/72-137: Scottish Jacobite Rebellion 1745/46. British Infantry (2)
- 1/72-138: French and Indian War 1754-1760. British Infantry (1)
- 1/72-139: French and Indian War 1754-1760. British Infantry (2)
- 1/72-140: French and Indian War 1754-1760. French Infantry (1)
- 1/72-141: French and Indian War 1754-1760. French Infantry (2)
- 1/72-142: French and Indian War 1754-1760. Französische Infanterie (3)
- 1/72-143: Seven Years War 1756 - 1763. French Infantry (1)
- 1/72-144: Seven Years War 1756 - 1763. French Infantry (2)
- 1/72-145: Samurai flags 1600-1638 (1). Tokugawa Ieyasu, Shogun of Japan 1603-1616
- 1/72-146: Samurai flags 1600-1638 (2). Tokugawa army
- 1/72-147: Samurai flags 1600-1638 (3). The red sundisk
- 1/72-148: Samurai flags 1600-1638 (4). Widely used lettering motto
- 1/72-149: Samurai flags 1600-1638 (5). Toyotomi army: Defence of Osaka castle 1614/15 8017
- 1/72-150: Samurai flags 1600-1638 (6). "The Red Devils"
- 1/72-151: Samurai flags 1600-1638 (7). Osaka 1615, Tokugawa army
- 1/72-152: Battle of Grunwald 1410 (III). (Revised Jan. 2009)
- 1/72-153: Battle of Grunwald 1410 (III). (Revised Jan. 2009)
- 1/72-154: 11th century A.C. Anglo-Norman wars / Hastings 1066
- 1/72-155: Samurai flags 1600-1638 (8). Cavalry back flags
- 1/72-156: Samurai flags 1600-1638 (9). Cavalry back flags
- 1/72-157: France. Infantry of the Guard 1804-1815
- 1/72-158: Holy Roman Empire under Maximilian I., 1493 - 1519 (1)
- 1/72-159: Holy Roman Empire under Maximilian I., 1493 - 1519 (2)
- 1/72-160: Holy Roman Empire under Charles V. , 1520 - 1556 (1)
- 1/72-161: Holy Roman Empire under Charles V. (2). Mixed
- 1/72-162: 15th/16th century. German peasants wars
- 1/72-163: Hussite Wars 1419-1437
- 1/72-164: Holy Roman Empire under Charles V. , 1520 - 1556 (3) Mixed
- 1/72-165: Samurai Army Headquarters 16th -17th cent. I (Tokugawa Ieyasu, Shogun of Japan 1603-1616)
- 1/72-166: Samurai Army Headquarters 16th -17th cent. II (Tokugawa Ieyasu, Shogun of Japan 1603-1616)
- 1/72-167: Samurai Army Headquarters 16th -17th cent. I (Sundisc Symbol). Seizes suiting ZVEZDA 8029
- 1/72-168: Samurai Army Headquarters 16th -17th cent. II (Sundisc Symbol). Seizes suiting ZVEZDA 8029
- 1/72-169: Samurai infantry flags 16th -17th cent., mixed 1. Seizes suiting ZVEZDA 8017
- 1/72-170: Samurai infantry flags and gunner's shield decorations 16th - 17th cent., mixed 2. Seizes suiting ZVEZDA 8017
- 1/72-171: Samurai cavalry back flags (sashimono) 16th -17th cent., mixed. Seizes suiting ZVEZDA 8025
- 1/72-172: France 1809-15, Lance Pennons (3)
- 1/72-173: France 1809-15, Lance Pennons (4)
- 1/72-174: Thirty Years War 1618 - 1648 (1), Imperial Catholic troops I
- 1/72-175: Thirty Years War 1618 - 1648 (2), Bohemian War 1618/20.
- 1/72-176: Thirty Years War 1618 - 1648 (3), Protestant Troops I
- 1/72-177: Thirty Years War 1618 - 1648 (4), Protestant Troops II
- 1/72-178: Thirty Years War 1618 - 1648 (5), Imperial Catholic troops II: 1632.
- 1/72-179: Thirty Years War 1618 - 1648 (6), Protestant Troops III: 1632
- 1/72-180: Thirty Years War 1618 - 1648 (7), French infantry
- 1/72-181: Thirty Years War 1618 - 1648 (8), Dutch and Spanish infantry
- 1/72-182: Prussian Cavalry 1743-1807
- 1/72-183: Prussian Cavalry 1808-1815
- 1/72-184: Waterloo 1815 (13) Hanover, Great Britain, France
- 1/72-185: Sweden and Denmark, Infantry 1813-1815
- 1/72-186: Peninsular War 1807-1814 (1) Portugese Army
- 1/72-187: Peninsular War 1807-1814 (2) Spanish Infantry
- 1/72-188: Hundred Years War. Crécy 1346, Poitiers 1356. English and French.. **Released August 2008**
- 1/72-189: Takeda Shingen Samurai Army Headquarters. Decorations for ZVEZDA 8029. Gate parts and back part of fencing. **Released March 2008**
- 1/72-190: Takeda Shingen Samurai Army Headquarters. Decorations for ZVEZDA 8029 . Fencing side parts. **Released March 2008**
- 1/72-191: Takeda Shingen Samurai Cavalry. Sizes for ZVEZDA 8025. **Released March 2008**
- 1/72-192: Takeda Shingen Samurai Infantry. Sizes for ZVEZDA 8017. **Released March 2008**
- 1/72-193: Oda Nobunaga Samurai Army Headquarters. Decorations for ZVEZDA 8029. Gate parts and back part of fencing. **Released March 2008**
- 1/72-194: Oda Nobunaga Samurai Army Headquarters. Decorations for ZVEZDA 8029. Fencing side parts. **Released March 2008**
- 1/72-195: Oda Nobunaga Samurai Cavalry. Sizes for ZVEZDA 8025. **Released March 2008**
- 1/72-196: Oda Nobunaga Samurai Infantry. Sizes for ZVEZDA 8017. **Released March 2008**
- 1/72-197: Uesugi Kenshin 1538-78 Samurai Army Headquarters. Decorations for ZVEZDA 8029. Gate parts and back part of fencing. **Released March 2008**
- 1/72-198: Uesugi Kenshin 1538-78 Samurai Army Headquarters. Decorations for ZVEZDA 8029. Fencing side parts. **Released March 2008**
- 1/72-199: Uesugi Kenshin Samurai Infantry 1538-78. Decorations for ZVEZDA 8017. **Released March 2008**
- 1/72-200: Uesugi Kenshin Samurai Cavalry 1538-78. Sizes for ZVEZDA 8025. **Released March 2008**
- 1/72-201: Hojo Ujiejyasu 1515-71 Samurai Army Headquarters. Decorations for ZVEZDA 8029. Gate parts and back part of fencing. **Released March 2008**
- 1/72-202: Hojo Ujiejyasu 1515-71 Samurai Army Headquarters. Decorations for ZVEZDA 8029. Fencing side parts. **Released March 2008**





- 1/72-203: Hojo Ujiejyasu Samurai Infantry 1515-71. Sizes for ZVEZDA 8017. **Released March 2008**
- 1/72-204: Hojo Ujiejyasu Samurai Cavalry 1515-71. Sizes for ZVEZDA 8025. **Released March 2008**
- 1/72-205: Imagawa Yoshimoto 1519-60 Samurai Army Headquarters. Decors for ZVEZDA 8029. Gate parts and back part of fencing. **Released March 2008**
- 1/72-206: Imagawa Yoshimoto 1519-60 Samurai Army Headquarters. Decors for ZVEZDA 8029. Fencing side parts. **Released March 2008**
- 1/72-207: Imagawa Yoshimoto 1519-60 Samurai Infantry. Sizes for ZVEZDA 8017. **Released March 2008**
- 1/72-208: Imagawa Yoshimoto Samurai Cavalry 1519-60. Sizes for ZVEZDA 8025. **Released March 2008**
- 1/72-209: World War II Pacific Theatre 1941-45. **Released August 2008**
- 1/72-210: Vietnam War 1964-1973. **Released August 2008**
- 1/72-211: Modern Armies, National Flags and War Flags I, USA, Great Britain, France. **Released August 2008**
- 1/72-212: Yugoslavia Conflict 1991-95, 1998-99. **Released August 2008**
- 1/72-213: Israel-Arab wars 1967, 1973. **Released August 2008**
- 1/72-214: Ottoman Empire. Janissaries, 14th Cent.-1826. **Released August 2008**
- 1/72-215: Ottoman Empire, Infantry and Cavalry. **Released August 2008**
- 1/72-217: Polish Winged Hussars, 1st half of 17th Cent. **Released August 2008**
- 1/72-218: Russian Banners ca. 1300-1410. **(Released Jan. 2009)**
- 1/72-219: Skandinavian / Baltic region wars. Hanse League Troops ca. 1300-1402. (Dec. 2008)
- 1/72-220: Skandinavian / Baltic region wars. Denmark and Neighbours, ca. 1200-1300 (I). (Dec. 2008)
- 1/72-221: Skandinavian / Baltic region wars. Denmark and Neighbours, ca. 1200-1300 (II). (Dec. 2008)
- 1/72-222: Skandinavian / Baltic region wars. Denmark and Neighbours, ca. 1300-1400 (III). (Dec. 2008)
- 1/72-223: Skandinavian / Baltic region wars. Denmark and Neighbours, ca. 1300-1400 (IV). (Dec. 2008)
- 1/72-224: Skandinavian / Baltic region wars. Denmark and Neighbours, ca. 1300-1400 (V). (Dec. 2008)
- 1/72-225: Skandinavian / Baltic region wars. Denmark ca. 1300-1400. (Dec. 2008)
- 1/72-226: Skandinavian / Baltic region wars. Denmark ca. 1350-1440. (Dec. 2008)
- 1/72-227: Skandinavian / Baltic region wars. Sweden ca. 1300-1440. (Dec. 2008)
- 1/72-228: Skandinavian / Baltic region wars. Sweden ca. 1300-1440. (Dec. 2008)
- 1/72-229: Battle of Grunwald 1410 (III). **(Released Jan. 2009)**
- 1/72-230: Battle of Grunwald 1410 (IV). **(Released Jan. 2009)**
- 1/72-231: Battle of Grunwald 1410 (V). **(Released Jan. 2009)**
- 1/72-232: Battle of Grunwald 1410 (VI). **(Released Jan. 2009)**
- 1/72-233: Battle of Grunwald 1410 (VII). **(Released Jan. 2009)**
- 1/72-234: Battle of Grunwald 1410 (VIII). **(Released Jan. 2009)**
- 1/72-235: Battle of Grunwald 1410 (IX). **(Released Jan. 2009)**
- 1/72-236: French Infantry, Revolutionary Wars 1791-1804 (1). **(>>Foreseen for: Jan. 2009)**
- 1/72-237: French Infantry, Revolutionary Wars 1791-1804 (2). **(>>Foreseen for: Jan. 2009)**
- 1/72-238: French Infantry, Revolutionary Wars 1791-1804 (3). **(>>Foreseen for: Jan. 2009)**
- 1/72-239: French Infantry, Revolutionary Wars 1791-1804 (4). **(>>Foreseen for: Jan. 2009)**

28mm

- 28mm/001: US Civil War 1861-1865. Union Infantry & Cavalry (1). **(Released Oct. 2008)**
- 28mm/002: US Civil War 1861-1865. Union Infantry & Cavalry (2). **(Released Oct. 2008)**
- 28mm/003: US Civil War 1861-1865. Confederate Infantry & Cavalry **(Released Oct. 2008)**
- 28mm/004: US Civil War 1861-1865. Confederate Infantry & Cavalry **(Released Oct. 2008)**
- 28mm/005: French Infantry Waterloo 1815 (1). **(Released Oct. 2008)**
- 28mm/006: French Infantry 1812-1814 (1). **(Released Oct. 2008)**

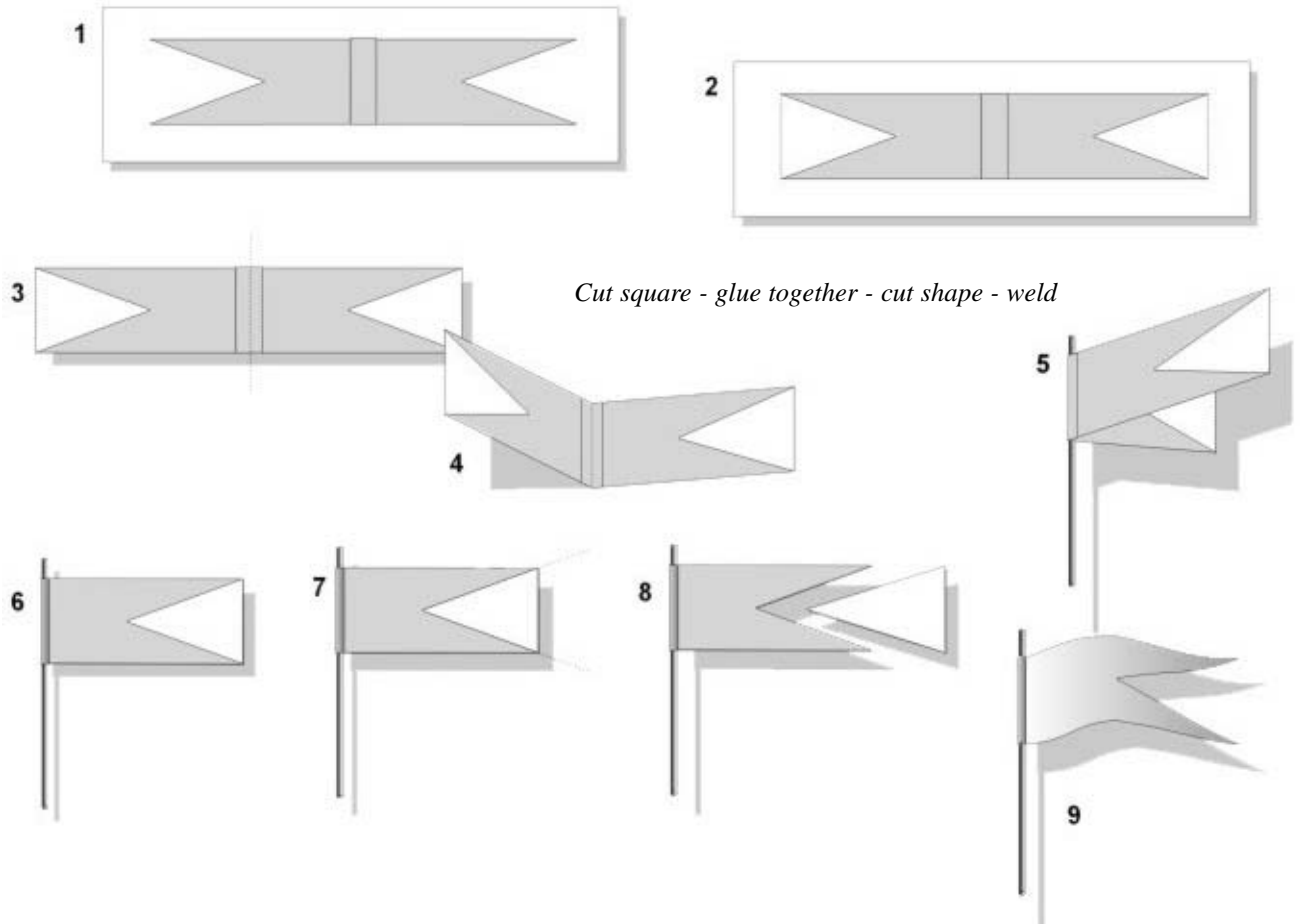
54mm

- 1/32-01: Chivalric Orders ca. 1150-1250 (1). Teutonic Order, Sword Brethren. **(Revised Oct. 2008)**
- 1/32-02: Chivalric Orders ca. 1150-1250 (2). Templars and Hospitaliters. **(Revised Oct. 2008)**
- 1/32-03: Third Crusade, Leaders 1189-1191. **(Revised Oct. 2008)**
- 1/32-04: Battle of Tannenberg (Grunwald) 1410. Teutonic Order Army 1. **(Revised Oct. 2008)**
- 1/32-05: Battle of Tannenberg (Grunwald) 1410. Teutonic Order Army 2. **(Revised Oct. 2008)**
- 1/32-06: Battle of Tannenberg (Grunwald) 1410. Polish Army(1)
- 1/32-07: Battle of Tannenberg (Grunwald) 1410. Polish Army(2)
- 1/32-08: Scottish Jacobite Rebellion 1745/46.
- 1/32-09: American Revolution 1775-83.
- 1/32-10: Napoleonic Wars (1)
- 1/32-11: Napoleonic Wars (2)
- 1/32-12: Napoleonic Wars (3)
- 1/32-13: Napoleonic Wars (4)
- 1/32-14: Napoleonic Wars (5).
- 1/32-15: Napoleonic Wars (6).
- 1/32-16: US Civil War 1861-1865 (1).
- 1/32-17: US Civil War 1861-1865 (2).
- 1/32-18: US US Civil War 1861-1865 (3).
- 1/32-19: US US Civil War 1861-1865 (4).
- 1/32-20: US Indian Wars. Little Big Horn 1876.

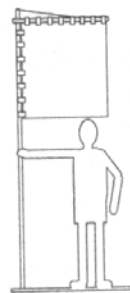




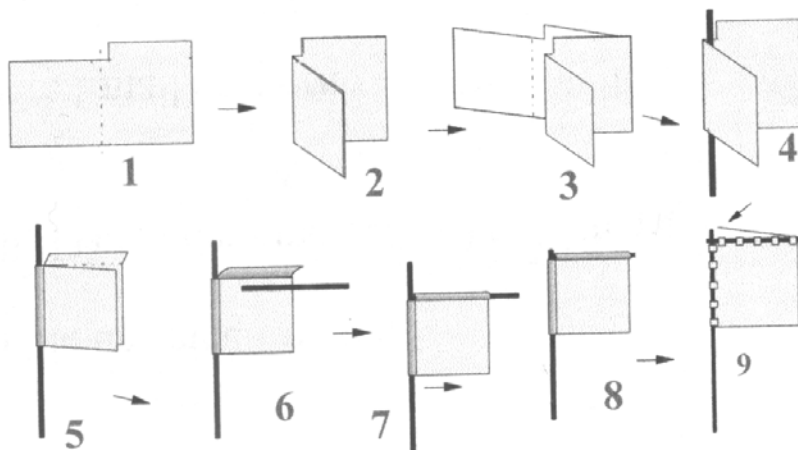
How to exactly fix ROFUR-FLAGS



Instead of removing the backside protecting paper, it may alternately be left with the flag and both sides glued together with a glue-stick, i.e. "Pritt" (avoid liquid adhesive, this may dissolve the printed surface!). This gives you a few seconds to carefully slip the edges until they are exactly congruent.



How to fix Samurai leader's and troop flag:





ROFUR-FLAGS: Which flags/sheets for which 1:72nd scale sets?

- these are but a few examples - not regularly updated -

The sheet-Nr. indicates that at least one flag within the sheet is suitable to the figures set mentioned. Of course, the whole range of all sets available cannot be considered. For Hät boxes please see more information on: >http://www.rofur-flags.de/hat_info/hat.htm<

HÄT

- 8001 Napoleonic French Mamelukes 1805:** 1/72-116, 1/72-120, 1/72-107
8005 1815 Prussian Uhlans: 1/72-183, 1/72-63, 1/72-66, 1/72-71, 1/72-72, 1/72-73
8002 Napoleonic Prussian Dragoons: 1/72-183
8009 Napoleonic French Dragoons: 1/72-115, 1/72-116, 1/72-117, 1/72-118, 1/72-119, 1/72-120, 1/72-126, 1/72-127, 1/72-128, 1/72-129, 1/72-130, 1/72-131, 1/72-132, 1/72-105, 1/72-106, 1/72-107, 1/72-108, 1/72-109, 1/72-110
8011 Napoleonic French Light Lancers: 1/72-23, 1/72-104, 1/72-117, 1/72-118, 1/72-127, 1/72-131, 1/72-132, 1/72-106, 1/72-173
8013 Napoleonic French Horse Grenadiers: 1/72-107, 1/72-116, 1/72-120
8014 King's German Legion Light Dragoons: 1/72-121, 1/72-122, 1/72-123, 1/72-124, 1/72-125
8015 Napoleonic Austrian Cuirassiers: 1/72-87, 1/72-88, 1/72-89, 1/72-90, 1/72-91
8027 Napoleonic Austrian Infantry: 1/72-87, 1/72-88, 1/72-89, 1/72-90, 1/72-91
8028 Bavarian Napoleonic Wars Infantry: 1/72-51a
8029 Napoleonic French Line Chasseurs: 1/72-115, 1/72-116, 1/72-117, 1/72-118, 1/72-119, 1/72-120, 1/72-126, 1/72-127, 1/72-128, 1/72-129, 1/72-130, 1/72-131, 1/72-132, 1/72-105, 1/72-106, 1/72-107, 1/72-108, 1/72-109, 1/72-110
8031 Napoleonic Austrian Chevauxlegers: 1/72-87, 1/72-88, 1/72-89, 1/72-90, 1/72-91
8033 Napoleonic British Dragoons: 1/72-121, 1/72-122, 1/72-123, 1/72-124, 1/72-125
8034 French Young Guard: 1/72-115, 1/72-116, 1/72-117, 1/72-118, 1/72-119, 1/72-120, 1/72-126, 1/72-127, 1/72-128, 1/72-129, 1/72-130, 1/72-131, 1/72-132, 1/72-105, 1/72-106, 1/72-107, 1/72-108, 1/72-109, 1/72-110, 1/72-157
8036 Napoleonic British Light Infantry: 1/72-121
8041 Napoleonic French Fusiliers: 1/72-115, 1/72-116, 1/72-117, 1/72-118, 1/72-119, 1/72-120, 1/72-126, 1/72-127, 1/72-128, 1/72-129, 1/72-130, 1/72-131, 1/72-132, 1/72-105, 1/72-106, 1/72-107, 1/72-108, 1/72-109, 1/72-110, 1/72-157
8042 Napoleonic French Light Infantry: 1/72-115, 1/72-116, 1/72-117, 1/72-118, 1/72-119, 1/72-120, 1/72-126, 1/72-127, 1/72-128, 1/72-129, 1/72-130, 1/72-131, 1/72-132, 1/72-105, 1/72-106, 1/72-107, 1/72-108, 1/72-109, 1/72-110, 1/72-157
8062 1805 French Line Fusiliers (1800-1807) French line fusilier infantry, with bicornes: 1/72-115, 1/72-116, 1/72-117, 1/72-118, 1/72-119, 1/72-120, 1/72-126, 1/72-127, 1/72-128, 1/72-132
8063 1805 French Light Infantry (1802-1807) French light infantry, chasseurs, carabiniers or voltigeurs: 1/72-115, 1/72-116, 1/72-117, 1/72-118, 1/72-119, 1/72-120, 1/72-126, 1/72-127, 1/72-128, 1/72-132
8072 Russian Line Infantry 1805: 1/72-30a, 1/72-32a, 1/72-34a, 1/72-35a, 1/72-36a, 1/72-38a, 1/72-40a, 1/72-41a, 1/72-42a, 1/72-45a, 1/72-47a, 1/72-48a, 1/72-49a, 1/72-50a
8083 Prussian Musketeers 1806: 1/72-53a
8091 Swedish Infantry of the Napoleonic Wars: 1/72-185
8095 1808-1812 French Infantry: 1/72-115, 1/72-116, 1/72-117, 1/72-118, 1/72-119, 1/72-120, 1/72-126, 1/72-127, 1/72-128, 1/72-129, 1/72-130, 1/72-131, 1/72-132
AP008 Polish Infantry 1812-14: 1/72-52a
7008 Waterloo French Line Infantry. 1812-1815: 1/72-115, 1/72-116, 1/72-117, 1/72-118, 1/72-119, 1/72-120, 1/72-126, 1/72-127, 1/72-128, 1/72-129, 1/72-130, 1/72-131, 1/72-132, 1/72-105, 1/72-106, 1/72-107, 1/72-108, 1/72-109, 1/72-110, 1/72-157

ZVEZDA

- 8001 Russian Knights:** 1/72-54a
8016 Livonian Knights 1300: 1/72-113
8036 French mounted Knights about 1500: 1/72-161
8017 Samurai Infantry, 16th - 17th cent.: 1/72-145, 1/72-146, 1/72-147, 1/72-148, 1/72-149, 1/72-150, 1/72-151, 1/72-169, 1/72-170,
8025 Samurai cavalry, 16th - 17th cent.: 1/72-155, 1/72-156, 1/72-171
8029 Samurai Army Headquarters 16th - 17th cent.: 1/72-145, 1/72-146, 1/72-147, 1/72-148, 1/72-149, 1/72-150, 1/72-151, 1/72-155, 1/72-156, 1/72-165, 1/72-166, 1/72-167, 1/72-168, 1/72-169, 1/72-170, 1/72-171
8018 Lifeguard Cossacks 1812/14: 1/72-1/72-36a, 1/72-38a, 1/72-40a, 1/72-48a
8020 Russian Grenadiers 1812: 1/72-30a, 1/72-32a, 1/72-34a, 1/72-35a, 1/72-36a, 1/72-38a, 1/72-40a, 1/72-42a, 1/72-45a, 1/72-47a, 1/72-48a, 1/72-49a, 1/72-50a
8026 Russian Cuirassiers 1812: 1/72-41a, 1/72-36a, 1/72-35a, 1/72-34a, 1/72-32a, 1/72-30a, 1/72-42a, 1/72-45a, 1/72-47a, 1/72-48a, 1/72-49a, 1/72-50a
8030 French Napoleonic Guard Grenadiers: 1/72-157
8035 Saxon Cuirassiers 1810-1814: 1/72-52a
8201 Battle of Kulikowsk. Russian Knights against Mongoles 1380: 1/72-54a
8204 Crusaders and Saracenes: 1/72-01, Nr. 1/72-0, 1/72-03, 1/72-113, 1/72-114, 1/72-102
8202 Battle of Lake Peipus 1242. Russian Knights against Teutonic Order: 1/72-113, 1/72-54a
8207 Shogun: 1/72-145, 1/72-146, 1/72-147, 1/72-148, 1/72-149, 1/72-150, 1/72-151, 1/72-155, 1/72-156, 1/72-165, 1/72-166, 1/72-167, 1/72-168, 1/72-169, 1/72-170, 1/72-171,
8215 Borodino Cossacks Attack: 1/72-1/72-36a, 1/72-38a, 1/72-40a, 1/72-48a
8219 Waterloo Scots Grey's Attack: 1/72-121, 1/72-122, 1/72-105, 1/72-106, 1/72-107, 1/72-108, 1/72-109, 1/72-110, 1/72-123, 1/72-124, 1/72-125, 1/72-133, 1/72-184, 1/72-129, 1/72-130, 1/72-131, 1/72-132
8220 Waterloo The Great Battle: 1/72-105, 1/72-106, 1/72-107, 1/72-108, 1/72-109, 1/72-110, 1/72-121, 1/72-122, 1/72-123, 1/72-124, 1/72-125, 1/72-133, 1/72-184, 1/72-129, 1/72-130, 1/72-131, 1/72-132
8221 Borodino Great Battle Moscow: 1/72-30a, 1/72-32a, 1/72-34a, 1/72-35a, 1/72-36a, 1/72-38a, 1/72-40a, 1/72-157, 1/72-52a

MINI-ART

- 72001 Burgundian Archers and Knights, 15th cent.:** 1/72-55a
72002 French Knights with assault Ladders: 1/72-94, 1/72-95, 1/72-96, 1/72-101
72003 French late medieval Infantry with Ramme: 1/72-94, 1/72-95, 1/72-96, 1/72-101
72006 Burgundian mounted Knights 15th cent.: 1/72-55a
72007 French mounted Knights 15th cent.: 1/72-94, 1/72-95, 1/72-96, 1/72-101

* * * * *



28mm PERRY Miniatures



All 28mm-PERRY-Figures painted by Kai Fuhrmann (<http://www.Fuhrmann-Figuren.de>).

28mm Flags

Sheet size: 14 x 10 cm (ca. 5,5 inches x 4 inches)

Suiting for PERRY MINIATURES >www.perry-miniatures.com< and other 28 mm Figs PERRY MINIATURES are multipose hard plastic figures to be painted as US or CS Troops. The boxes include numerous alternate arms, hats, arms etc.

Napoleonic Wars

28mm/006: French Infantry 1812-1814 (1)

Je 1 Fahne für: 4me, 8me, 17me, 21me, 30me, 33me, 61me Infanterie de Ligne 1812 -14 / Btn.-Fanion der 13me Voltigeurs de la Jeune Garde ca 1813. / Btn.-Fanion der 5me Tirailleurs-Grenadiers, Jeune Garde ca.1812-14 / Fanion de Compagnie, Grenadiers de 63me Infanterie de Ligne.

28mm/005: French Infantry Waterloo 1815 (1)

Je 1 Fahne für: 105me Infanterie de Ligne / 45me Infanterie de Ligne / 93me Infanterie de Ligne / 92me Infanterie de Ligne / 100me Infanterie de Ligne / 54me Infanterie Légère.

US Civil War 1861-65

28mm/001: US Civil War 1861-1865. Union Infantry & Cavalry (1)

Infantry National Flag M 1861 Version / Regimental Flag M 1848 / 2 Marker Flags / 2 Cavalry Company Guidons up to Jan. 1862.

28mm/002: US Civil War 1861-1865. Union Infantry & Cavalry (2)

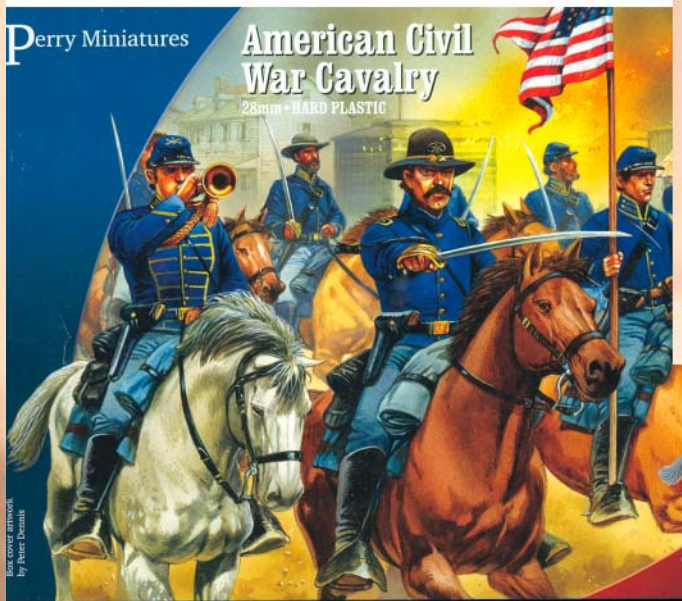
Infantry National Flag / Infantry Regimental Flag M 1861 / 2 Marker Flags / Cavalry Regimental Standard / 2 Cavalry Company Guidons from Februar 1862 on.

28mm/003: US Civil War 1861-1865. Confederate Infantry & Cavalry (1)

2 different flags: Confederate Staates Army (CSA) Battle Flag Dec. 10th, 1861 up to May 1863 / Virginia Cavalry Battle Flag Version / Army of Northern Virginia Battle Flag July 1862 up to May 1864 / Army of N.Virginia Battle Flag 1861 / Confederate popular flag "The Bonnie blue Flag".

28mm/004: US Civil War 1861-1865. Confederate Infantry & Cavalry (2)

Army of Northern Virginia Battle Flag, May - Nov. 1864 / South Carolina, Georgia, Florida Cavalry Battle Flag from Sept.1862 on / Confederate Army Battle Flag from May 1863 on, 2 different / Confederate Army Battle Flag from march 4th, 1865.



Rolf Fuhrmann 2008

28mm/004: CS Civil War Infantry & Cavalry

28mm/001: US Civil War Infantry & Cavalry 1861-1865

Rofur
Flags
www.ROFUR-FLAGS.de
© Rolf Fuhrmann 2008

Army of Northern
Virginia Battle Flag,
Virginia Battle Flag,
Nov. 1864

South Carolina,
Florida,
Georgia, from



54mm Flags

54mm sheets are sized 20,5 x 15 cm (8 inches x 5,5 inches)

1/32-01: Knightly Orders Banners and Pennons ca. 1150-1250 A.C. (1)

Teutonic Order: King's Banner of Frederic II / Marshal Banner ca. 1200 / Grandmaster Banner from 1226 on / Order's Banner ca. 1240 / 2 Lance Pennons / Order Crusader's Banner of St. George // *Order of the Sword Brethren:* 2 Banners, 2 Lance Pennons.

1/32-02: Knightly Orders Banners and Pennons ca. 1150-1250 A.C. (2)

Order of the Temple: 2 Banners ca. 1200-1300 / 11 Lance Pennons // *Order of the Hospital:* 2 Banners ca. 1200-1300 / 10 Lance Pennons.

1/32-03: 3rd Crusade 1189-1191, Banners of leading Kings and rulers

Leopold Babenberg, Duke of Austria / Richard I. "Lionheart", King of England / Philipp Augustus, King of France / Bauduin IV. Count of Flanders.

1/32-04: Battle of Tannenberg 1410. Teutonic Order Army (1)

Grandmaster Banner / Königsberg Levy Banner / Danzig Levy Banner / Braunsburg town Levy Banner / St. George Banner.

1/32-05: Tannenberg 1410. Teutonic Order Army (2)

The Order's General Banner / Banner of Konrad "the White" of Oels / Banner of Kulm district Levy / Banner of Elbing Comtur / Banner of Crossbow company.

1/32-06: Tannenberg 1410. Polish Arme (1)

The King's Great Krakow-Banner / St. George Banner / District of Calisz Levy.

1/32-07: Tannenberg 1410 Polish Arme (2)

King Wladyslaw II. Jagiello's Guidon / Jan of Tornow Banner / Iwo of Obichów Banner / Nadworna Nobles Banner / Podolskiej District Banner.

1/32-08: Scottish Jacobite Rebellion 1745/46

Culloden 1746: British Army, Barel's Regiment of Foot / Rebel Army, 2nd Bataillon Lord Ogilvy's Regt. 1745/46 / Flag of an unknown Jacobite Unit.

1/32-09: American Revolution 1775-1783

Patriots: Liberty-Flag 1775 / American National Flag from July 1777 on (Variation).

1/32-10: Napoleonic Wars (1)

France: Empress dragoons of the Guard, Standard 1810-12 / 2nd Carabiniers, Standard 1804-1812 / Austria: Infantry, Ordinary Flag 1804 pattern / Prussia: 1st Batn. 1st Foot Guards from June 20th, 1813 on.

1/32-11: Napoleonic Wars (2)

France: Pennon for 2nd and 3rd Eaglebearer 1808-14 / 1st Grenadiers of the Guard, 1813-1814 Flag / 1st Line Infantry, 1812-14 Flag / mounted Chasseurs of the Guard 1813-14 Standard / 1st Dragoons, 1812-14 Standard / 1st Cuirassiers 1812-14 Standard / 105th Line Infantry 1815 Flag.

1/32-12: Napoleonic Wars (3)

Waterloo 1815: 69th Regiment of Foot, King's Flag and Regimental Flag / France, Standards of 3rd, 8th and 11th Cuirassiers / 2 Lance Pennons for 1st to 6th Lancers of the Line.

1/32-13: Napoleonic Wars (4)

Waterloo 1815: Great Britain: Flag of 3rd Bataillon, 1st Foot Guards / Flag of 2nd Bataillon, 2nd Foot Guards / France: 25th Line Infantry Flag / 28th Line Infantry Flag / Standards of 12th and 22nd Dragoons.

1/32-14: Napoleonic Wars (5)

Quatre Bras and Waterloo 1815: 92nd Regiment of Foot (Gordon Highlanders), Regimental Flag / 2nd Royal North British Dragoons (Scots Greys), King's Guidon und Second Guidon / France: 45th Line Infantry 1815 Flag / Standards of 3rd Cheval-Léger-Lanciers de Ligne / 3 Lance Pennons for 1st to 6th Line Lancers.

1/32-15: Napoleonic Wars (6)

Waterloo 1815: 33rd Regiment of Foot, King's Flag and Regimental Flag / France: Standards of Cuirassiers Nr. 1, 4, 6, 7, 10 / Standard of 2nd Carabiniers.

1/32-16: American Civil War 1861-1865 (1)

US Infantry 1861: National Flag and Regimental Flag 1848 pattern / 2 Marker-Flags.

1/32-17: American Civil War 1861-1865 (2)

US Infantry 1861: National Flag and Regimental Flag 1861 pattern / 2 Marker-Flags / 2 Marker-Flags.

1/32-18: American Civil War 1861-1865 (3)

US Pennsylvania Cavalry: Regimental Standard and Company Guidon / US Cavalry Regimental Standard and non-regulation National Standard / US Cavalry and Field Artillery, 2 Guidons 1861 up to Jan. 1862 pattern / US Cavalry and Field Artillery, 3 Guidons 1862 pattern.

1/32-19: American Civil War 1861-1865 (4)

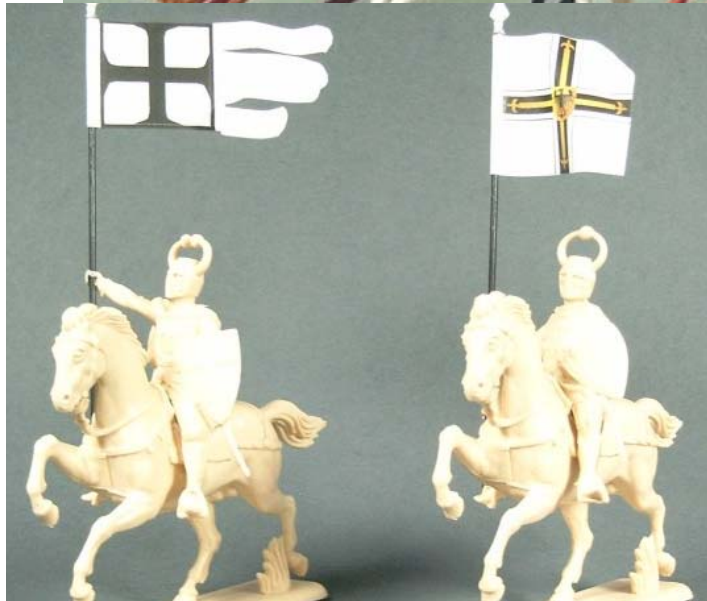
Confederate Army: CSA 1st National Battle Flag Variation / CSA 2nd National Battle Flag Variation / Guidon for Cavalry and Artillery 1861-63 / Army of Northern Virginia Battle Flag 1862-64 / South Carolina, Georgia, Florida Infantry Battle Flag from Sept. 1862 on. 1 Infantry and 1 Cavalry Version. / CS Army Battleflag 1864 pattern, 1 Infantry and 1 Cavalry Version / 1 Marker Flag.

1/32-20: US Indian Wars. Little Big Horn 1876

7th US Cavalry: George Armstrong Custers personal Flag / 1 Regimental standard, 1 National Standard / 5 Company Guidons.



Models: Painted by Kai Fuhrmann.



54mm



*All 54mm Figures
from collection of
Kai Fuhrmann.*







Gallery



*All photographs:
1:72nd scale figures painted by
Thomas Willers*







Gallery



*All photographs:
1:72nd scale figures painted by
Thomas Willers*





ROFUR-FLAGS Trader



Germany

KAI FUHRMANN FIGUREN & ZUBEHÖR

Goedenser Weg 24
26386 Wilhelmshaven
Germany

Tel.: +49 44 21-69 63 5 and 69 63 6
Fax: +49 44 21 - 69 63 5

Kai.Fuhrmann@Fuhrmann-Figuren.de

Internet: <http://www.Fuhrmann-Figuren.de>





*All photographs:
1:72nd scale figures painted by
Thomas Willers*



For any suggestions, ideas or questions please contact

Rolf.Fuhrmann@Rofur-Flags.de

